

# SLT 952 EM

## 108CM CEILING CASSETTE



let's get  
**Sirius**  
with rangehood design



## SL952 EM

### Features and Benefits:

ISLAND SOLUTION	Either flush installation or mounted into a bulkhead, the cassette model is sure to make an impression. Sirius island extraction is both effective and aesthetically stunning.
OFF BOARD MOTOR	Locating the motor away from the hood minimises noise in the kitchen up to 95% while still achieving maximum extraction, Motors can be installed up to 7 meters away with both indoor and external motors available making these the most versatile units on the market, no additional power required as motor is powered by a cable from the hood
NEON LIGHTS	Energy efficient, Better illumination of cooking area, Longer life span than standard globes, Modern aesthetic, independent lighting control.
INDUCTION COUNTDOWN CONTROL	10 minute auto function used at the end of cooking to reduce condensation build up common to induction cooking. 'C' shaped baffles eliminates moisture dripping onto cooking surface
LARGER DUCTING DIAMETER	Greater extraction and lower dB rating due to less air flow restriction
CLEAN FILTER INDICATOR	Takes the guessing game out of maintaining your hood
MAD E IN ITALY	Units are designed specifically for the Australian market and manufactured in Italy by dedicated boutique specialist manufacturer

**Distributed by Arisit Pty Ltd**

40-44 Mark Anthony Drive, Dandenong South VIC 3175 Ph: 1300 762 219 Fax: 03 9768 0838 Website: [www.arisit.com](http://www.arisit.com)

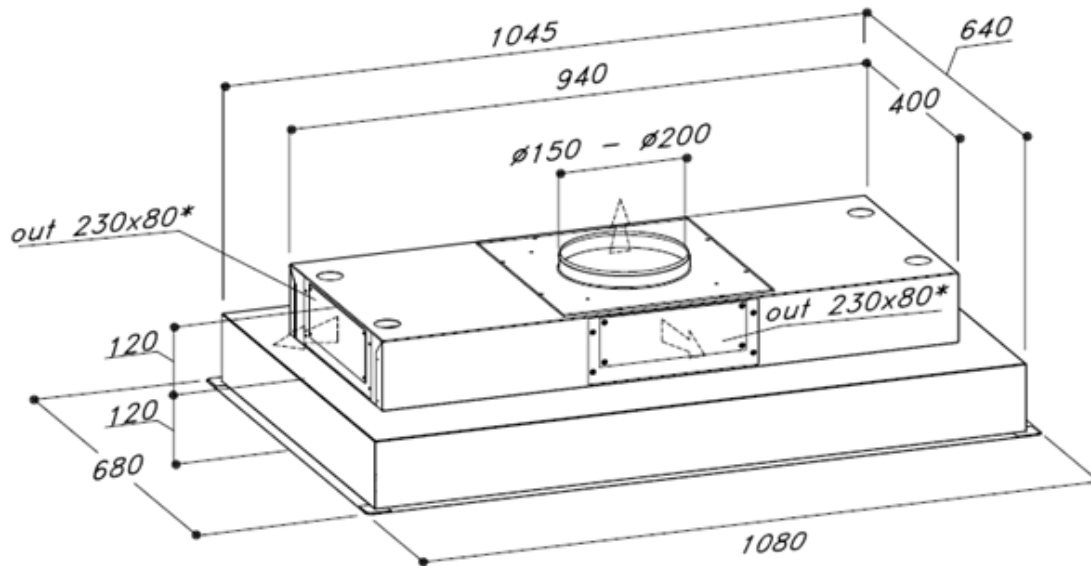
# SLT 952 EM

## 108CM CEILING CASSETTE



let's get  
**Sirius**  
with rangehood design

EM



### Technical Specifications:

MODEL	SLEM 952
CONTROL PANEL	REMOTE CONTROLLED OPTIONAL FREQUENCY
MOTOR	SEM 7 SEM 8
EXTRACTION	2300 m <sup>3</sup> /h 1650m <sup>3</sup> /h
DUCTING DIAMETER	200mm
LIGHTS	6 X 14W neon
FILTER	INTERNAL ALUMINIUM
ELECTRICAL REQUIREMENT	10A
PRODUCT DIMENSIONS	1080 x 680mm

WARNING: technical specifications and product sizes can be varied by the manufacturer, without notice. Cut outs for appliances should only be by physical product measurements. The above information is indicative only.

**Distributed by Arisit Pty Ltd**

40-44 Mark Anthony Drive, Dandenong South VIC 3175 Ph: 1300 762 219 Fax: 03 9768 0838 Website: [www.arisit.com](http://www.arisit.com)