

Installation instructions

Heat pump dryer
One-family household



1068340-R03

31/10/2019

For Service and Spare Part Information please contact: V-ZUG AUSTRALIA Pty. Ltd. Tel +61 7 3209 6822



**The appliance should be installed by qualified personnel only.
Each step must be carried out and checked in full in the order specified.**

Validity

The installation instructions apply to the models: **12011–12013**

Transport



Transport the appliance in an upright position only! Transporting it in any other position will result in damage to the appliance! When carried carefully without being shaken, the appliance may be tilted a maximum of 90° to the left (viewed from the front).



Identification plate



Supplied installation accessories

The necessary installation accessories are located in the washing drum and in the appliance packaging.

Designation	Article no.	Number	See installation step
Installation plate (incl. double-sided adhesive tape)	W40653	1	2. Positioning the installation plate
Tower panel	W55687	1	2. Positioning the installation plate
Condensate drain set (incl. screw material)	W56298	1	6. Connecting condensate drain

Room conditions/Ventilation



Keep all ventilation slits on the appliance clear and unobstructed. Otherwise an adequate supply of air is not guaranteed.

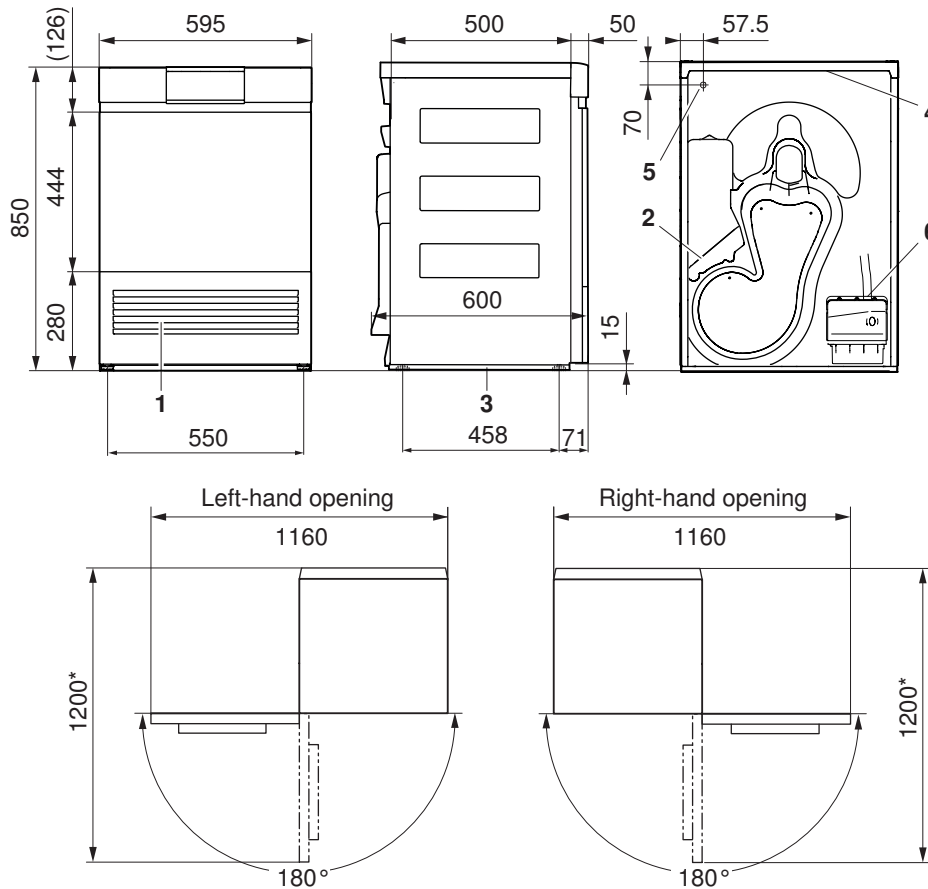
- Ventilate the room well. Ensure that the temperature of the room is between 5–35 °C.
- The room temperature must be kept between the range of 15–25 °C to ensure the economic running of the appliance.

Room size <10 m ² (<20 m ³)	Room size ≥10 m ² (≥20 m ³)
► Room must be ventilated: There must be air inlet and outlet openings to the adjacent room or to the outside, e.g. open window, ventilation grille or slits in the door, ventilation system.	► Condensation may form on thermal bridges! The room must therefore be aired after running several consecutive drying programmes, e.g. by opening a window or door to the room.



1. Dimensions

The stated dimensions do not include distances from walls. To prevent disturbing noise and vibration the appliances must not come into contact with the surrounding walls of their installation location.



- 1 Cooling air inlet
- 2 Cooling air outlet
- 3 Installation plate
- 4 Tower panel
- 5 Electrical connection cable outlet, length: 1.8 m, with plug
- 6 Condensate drain drainage connection: $\varnothing 10.5$ mm pumping height for drain pump: 1.2 m condensate drain kit, length: 2 m

* Clearance space across the whole width of the front



2. Positioning the installation plate

General tips

Use the installation plate supplied to install the appliance. It fixes the appliance in position, and is for use with both free-standing appliances and appliances positioned in a niche.

In case of underfloor heating, do not drill holes in the floor! Adhere installation plate into place!

<p>1</p>	<ul style="list-style-type: none"> ▶ Fold out spacers D in order to keep distance to the back wall.
<p>2</p>	<p>Variant 1: Without underfloor heating:</p> <ul style="list-style-type: none"> ▶ Fasten installation plate to the floor with 3 screws. ▶ Dampen mounting slots E with water to make the appliance easier to push in.
<p>2</p>	<p>Variant 2: With underfloor heating:</p> <ul style="list-style-type: none"> ▶ Holes must not be drilled in the floor if the room has underfloor heating. The installation plate must be adhered to the floor. ▶ Dampen mounting slots E with water to make the appliance easier to push in.

When installing the washer-dryer tower, do not drill any holes in the washing machine! Adhere installation plate into place!

	<ul style="list-style-type: none"> ▶ If a tumble dryer has to be installed on top of a washing machine, no holes must be drilled in the washing machine. The installation plate must be adhered to the floor.
--	--



Washer-dryer towers



Failure to use the correct installation plate can result in damage to the appliance!

Use the installation plate supplied to install the washing machine. The use of an unsuitable installation plate or a soft, sound-insulating underlay can cause damage to the appliance which does not fall within the scope of the manufacturer's guarantee.

Tumble dryer 12011–12013

Washing machine 11001–11006, 11010–11014, 11021, 11023, 11025

<p>1</p>	<ul style="list-style-type: none"> ▶ Take out the double-sided adhesive tape S and adhere to the mounting surfaces K.
<p>2</p> <p>3</p>	<ul style="list-style-type: none"> ▶ Turn over the installation plate. Push to the front edge of the washing machine cover plate (see arrow) and adhere into place. ▶ Take the tower panel out of its fixture on the back of the tumble dryer. ▶ Install the tower panel on the mounted installation plate.

Tumble dryer 12011–12013

Washing machine 265, 266, 268, 269

<p>1</p> <p>2</p>	<ul style="list-style-type: none"> ▶ Click in the six positioning cams P. ▶ Cut out the mounts U. ▶ Adhere the double-sided adhesive tape S to both sides of the mounts U. ▶ Turn over the installation plate. ▶ Adhere the mounts U to the 4 mounting surfaces B precisely.
<p>3</p> <p>4</p>	<ul style="list-style-type: none"> ▶ Turn over the installation plate. Push to the front edge of the washing machine cover plate (see arrow) and adhere into place. ▶ Take the tower panel out of its fixture on the back of the tumble dryer. ▶ Install the tower panel on the mounted installation plate.



Positioning in a niche

! If a tumble dryer or a washer-dryer tower is installed in a niche, a 130° door stop must be provided (article no. W54086).

! If the niche is fitted with a door, it must be ensured that the door is left open for the duration of the process. The niche door and the appliance door must be hinged on the same side.

<p>1</p>	<p>2</p>	<p>3</p>	<ul style="list-style-type: none"> ▶ Centre the installation plate in the niche. ▶ Distance to the back wall: ≥ 45 mm ▶ Cut-out for lateral connections (left or right): $\geq 100 \times 100$ mm ▶ Niche height for tumble dryer: ≥ 860 mm ▶ Niche height for washer-dryer tower: ≥ 1710 mm
<p>4</p> <p>1</p>		<p>Variant 1: Tumble dryer door C is flush with niche front B:</p> <ul style="list-style-type: none"> ▶ Niche depth A ≥ 605 mm ▶ Installation offset for installation plate D = 50 mm 	
<p>2</p>		<p>Variant 2: Washing machine door C is flush with niche front B:</p> <ul style="list-style-type: none"> ▶ Niche depth A ≥ 645 mm ▶ Installation offset for installation plate D = 83 mm 	

! The condensed water hose must not be crushed between the rear of the appliance and the building wall.



Free-standing position

! If a tumble dryer and a washing machine are positioned side by side, keep a distance of min. 5 mm between the installation plates and to the walls at the side and min. 45 mm to the back wall. The installation plates for the washing machine and tumble dryer are the same.

<p>1</p>	<ul style="list-style-type: none"> ▶ Fold out spacers D in order to keep distance to the back wall. ▶ Dimensions 45 and 555 only apply if no plumbing fittings are to be installed behind the appliance.
-----------------	---

3. Inserting the ventilation grille

<p>1</p>	<ul style="list-style-type: none"> ▶ The heat given off from the rear of the appliance must be conducted out of the niche. ▶ Insert 2 ventilation grilles P33002 or a ventilation cross-section of min. 400 cm². ▶ Ensure there is a supply of fresh air via the connection opening.
-----------------	--

! The condensed water hose must not be crushed between the rear of the appliance and the building wall.

4. Levelling

! To ensure fault-free operation, the appliance must stand level with all 4 feet firmly on the installation plate and not wobble.

<p>1</p>	<ul style="list-style-type: none"> ▶ Roughly adjust the height of the front and rear adjuster feet. ▶ Use a spirit level L to level the appliance. ▶ Slide the appliance onto the installation plate. ▶ Finely adjust the front adjuster feet. ▶ The appliance must not wobble!
-----------------	---



5. Electrical connections

Electrical connections

 **Electrical connections must be carried out by qualified personnel in accordance with the guidelines and standards for low-voltage installations and the specifications of the local electricity supply companies.**

A plug-in appliance may only be connected to a socket outlet with earthing contact, installed according to specifications. An all-pole mains isolating device with 3 mm contact opening should be provided in the house wiring system. Switches, plug and socket devices, circuit breakers and fusible cut-outs which are accessible after installation and which have all-poles switching are permissible as isolating devices. Effective earthing and separately installed neutral and earth conductors ensure safe and fault-free operation. After installation, live parts and cables with basic insulation must not be accessible. Check old installations.

- ▶ The appliance is designed for use up to a max. altitude of 2000 m above sea level.
- ▶ Refer to the identification plate for information on the required mains voltage, current type and fuse protection.



The mains plug must not be cut off.

Connection cable

Valid for all washing machines and tumble dryers in the Adora, AdoraWash and AdoraDry model range.

 **The mains cable may only be replaced by the manufacturer, its Customer Services or a similarly qualified person.**


Error messages «U1»

 **Disconnect the appliance from the mains and control the wiring.**

6. Connecting condensate drain

Fastening the drain hose




 **When installing the drain hose, protect it against damage and kinks!**

 **Fasten the drain hose before plugging in the mains cable.**

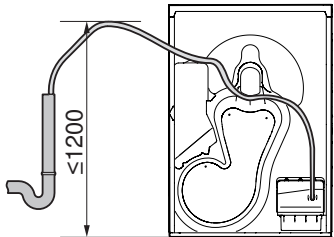
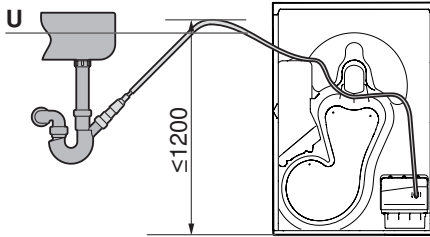
<p>1</p>	<p>2</p>	<p>3</p>	<ul style="list-style-type: none"> ▶ Remove the pump cover A. ▶ Fasten the drain hose B to nozzle D using the hose clip C. ▶ Put back the pump cover A. ▶ Plug in the mains cable.
-----------------	-----------------	-----------------	---



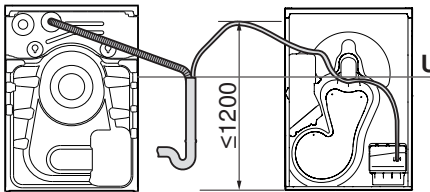
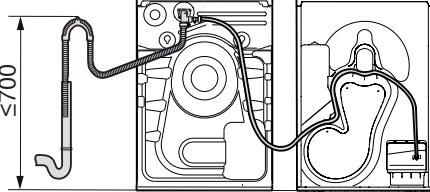
Connecting condensate drain

-  **The drain hose for the tumble dryer must not be lengthened!**
Otherwise water from the drain hose of the tumble dryer can flow into the condensate tank of the tumble dryer when the condensate pump is switched off.
-  **Never connect the drain hose from a tumble dryer to the drain hose from a washing machine so that it is watertight (hydraulically)!**
Otherwise water from the drain hose of the washing machine can flow into the condensate tank of the tumble dryer!
-  **Do not immerse the end of the drain hose from the tumble dryer in the water in the drain trap!**
Otherwise water in the drain-trap bend can flow into the condensate tank when the condensate pump is switched off.


Single connections

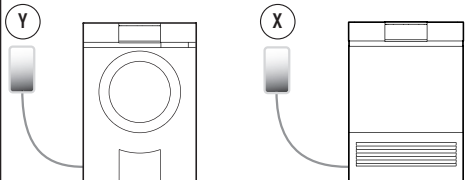
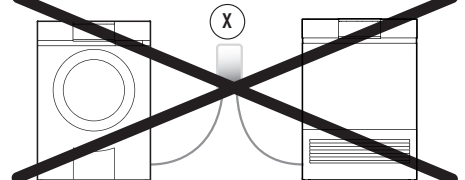
Drainage into fixed upright outflow pipe (W56298)	Connection to sink drain trap (W53070)	Work steps
		<ul style="list-style-type: none"> ▶ Use an open-top fixed upright outflow pipe with the drain trap. ▶ Leave a gap of ≥ 5 cm between the end of the drain hose from the tumble dryer and the level of the water in the drain trap. ▶ Position the drain hose from the tumble dryer above the overflow line U. Do not exceed the maximum pumping height!
Max. pumping height: 1200 mm	Max. pumping height: 1200 mm	

Tumble dryer positioned next to washing machine (open-top fixed upright outflow pipe)

Fixed upright outflow pipe with separately routed drainage pipe	Fixed upright outflow pipe with combi drainage set (W55969)	Work steps
		<ul style="list-style-type: none"> ▶ Use an open-top fixed upright outflow pipe with the drain trap. ▶ Leave a gap of ≥ 5 cm between the end of the drain hose from the tumble dryer and the level of the water in the drain trap. ▶ Insert the drain hoses from both appliances into the riser pipe of the drain trap. ▶ Position the drain hose from the tumble dryer above the overflow line U. Do not exceed the maximum pumping height!
Max. pumping height: 1200 mm	Max. pumping height: 700 mm	

Tumble dryer positioned next to washing machine (GEBERIT concealed drain trap)

-  **Cannot be connected to a concealed double drain trap! There must be a separate concealed drain trap for each appliance.**

		<ul style="list-style-type: none"> ▶ Washing machine: Use concealed drain trap GEBERIT UP Y (GEBERIT art. no. 152.236.00.1). ▶ Tumble dryer: Use concealed drain trap GEBERIT UP X (GEBERIT art. no. 152.237.00.1).
--	--	---



Washer-dryer towers

Fixed upright outflow pipe with separately routed drainage pipe	Fixed upright outflow pipe with combi drainage set (W55969)	Work steps
		<p>► Can be connected to a concealed double drain trap.</p>
<p>Max. pumping height: 700 mm</p>	<p>Max. pumping height: 700 mm</p>	

7. Using for the first time

! If the location of the appliance is changed, because of the heat pump it must stand in its final position for around 2 hours before it can be operated again. Failure to do this can result in damage to the appliance.

When the appliance is connected to the power supply for the first time, it is possible to carry out a function test. The purpose of the function test is to check the installation. It takes about 3 minutes. As the heat pump is not tested, the function test can be started immediately after installation. It **cannot** be aborted by interrupting the power supply. Once the function test has been run or aborted, it can no longer be selected and the appliance enters the normal selection mode.

Carrying out the function test	Interrupting the function test	Aborting/skipping the function test
<ul style="list-style-type: none"> ► Insert plug into mains socket. <ul style="list-style-type: none"> – In the display appears: «Language: English» ► Select language for function test. ► Touch ok. <ul style="list-style-type: none"> – Appliance is ready for function test. – In the display appears: «Function test – Start with button ▶ Skip with button ▶▶ » ► To start the function test, touch ▶ . <ul style="list-style-type: none"> – The function test starts. – In the display appears: «Function test 0h03» 	<ul style="list-style-type: none"> ► To interrupt the function test, touch ▶ . <ul style="list-style-type: none"> – In the display appears: «Function test – Continue with button ▶ Abort with button ▶▶ » ► To continue the function test, touch ▶ . 	<ul style="list-style-type: none"> ► To abort or skip the function test, touch ▶▶ .

After the function test:

- Select the user language, see the operating instructions.
- Select viewing angle, see the operating instructions.
- Select V-ZUG-Home mode, see the operating instructions.