



Model Code: LUA200

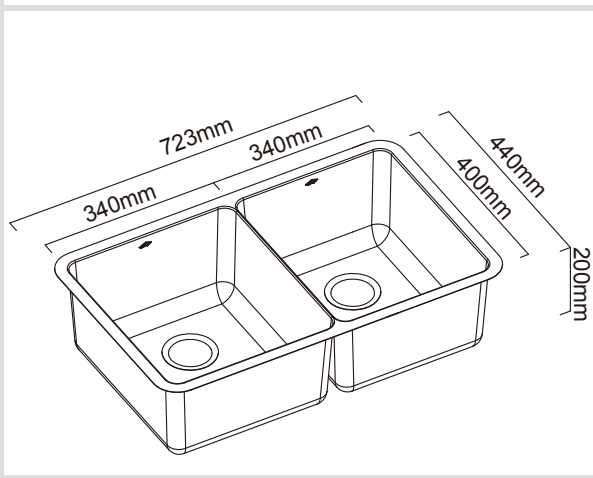
### Included Accessories



### Optional Accessories



### Dimensions



### Specifications

Description	Double bowls, Inset / Undermount Sink
Overall Sink Size	723mm x 440mm x 200mm deep
Bowl Dimensions	340mm x 400mm x 200mm deep 340mm x 400mm x 200mm deep
Drainer Length	N/A
Technic	Pressed
Material	Stainless steel SUS304

### Installation

Fixings	Inset and Undermount clips supplied
Template	N/A
Min Cabinet Size	820mm
Waste Holes	2 x 90mm square Compatible with waste disposal
Sealing Strip	N/A

### Plumbing

Waste Fittings	2 x (90mm x 2") basket wastes included
Overflow	Available, conditions apply

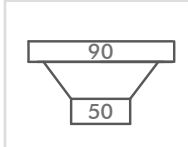
### Packaging

Carton Type	EPS protection & Carton
Gross Weight	5.3Kg
Carton Size	823mm x 286mm x 513mm
Pack QTY	1

#### SURFACE FINISH



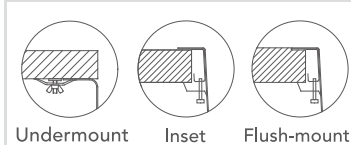
#### WASTE KIT



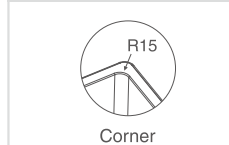
#### MATERIAL



#### INSTALLATION OPTIONS



#### PROFILE



Abey are Australia's leaders in sinkware, designing and manufacturing to the world's highest quality specifications as well as sourcing and bringing you Europe's very best, leading edge designs – practical, affordable, inspirational, stylish, timeless or cutting edge. When you buy an Abey stainless steel sink you receive the highest quality and 25 year warranty. Abey and the manufacturer are continually seeking ways to improve the design specifications, aesthetic and production techniques of the products. As a result, alterations to the specifications and dimensions of the products and designs occur continually.