

FISHER & PAYKEL

RANGEHOOD EXTERNAL BLOWER



HB1200E

INSTALLATION GUIDE

NZ AU

SAFETY AND WARNINGS

⚠ WARNING!



Electric Shock Hazard

Failure to follow this advice may result in electric shock or death.

- Installation and electrical wiring must be completed by qualified person(s) in accordance with all applicable codes and standards, including fire-rated construction.
- Always disconnect the appliance from the mains power supply before carrying out any maintenance or repairs.

⚠ WARNING!



Weight Hazard

Failure to follow this advice may result in damage or personal injury.

- The appliance is heavy. Please ensure adequate care is taken when installing the appliance.
- **Product weight:** 5.8kg.

⚠ WARNING!



Cut Hazard

Failure to use caution could result in injury.

- Take care: some edges are sharp.
- Wear gloves to protect against sharp edges.

WARNING!

To reduce the risk of fire, injury to persons or damage when using the appliance, follow the important safety instructions listed. Read all guidance before using the appliance.

Servicing

- Do not repair or replace any part of the appliance unless specifically recommended in the installation or user guide. All other servicing should be undertaken by a Fisher & Paykel trained and supported service technician or qualified person.

Installation

- Please make this information available to the person installing the appliance.
- When cutting or drilling into wall or ceiling, do not damage electrical wiring and other hidden utilities.
- This blower must be installed with a compatible Fisher & Paykel rangehood, failure to do so can void your warranty.
- This external blower unit is intended to be installed on the roof only.
- To comply with electrical safety regulations, the rangehood which controls the blower must be plugged into a socket near the appliance. The socket must be accessible, or have an accessible isolating switch, to enable the end user to isolate the appliance from the power for the purpose of internal cleaning or maintenance.
- Always switch the power off prior to installation, servicing or cleaning of the appliance.
- All ducting must comply with local requirements and building codes.
- Attention should be given to ensure that any applicable regulations concerning the discharge of exhaust air are fulfilled.
- To reduce the risk of fire and electric shock, install this appliance only with rangehood models specified.
- Ensure the supply cord is not exposed to heat, chemicals or sharp objects. If the supply cord is damaged it must be replaced by a Fisher & Paykel trained and supported service technician or suitably qualified person in accordance with all applicable codes and standards, including fire-rated construction.
- In order to avoid a hazard due to inadvertent resetting of the thermal cut-out, this appliance must not be supplied through an external switching device, such as a timer, or connected to a circuit that is regularly switched on and off by the utility.

General

- Remove all packaging, including protective wrappings, before use.
- This appliance incorporates an earth connection for functional purposes only.
- To reduce risk of fire and to properly exhaust air, be sure to duct air outside—Do not vent exhaust air into spaces within walls or ceilings or into attics, crawl spaces, or garages.
- For information on environmental noise limit and conditions please contact your local authority.
- The unit cannot be used in conjunction with a recirculation unit.

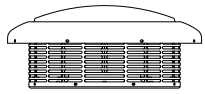
READ AND SAVE THESE INSTRUCTIONS

COMPONENTS REQUIRED

PARTS

- Keep all packing materials until the unit has been inspected.
- Inspect the product to ensure there is no shipping damage. If any damage is detected contact the dealer or retailer you bought the product from to report the damage.
- Fisher & Paykel is not responsible for shipping damage.

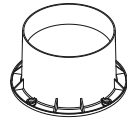
Supplied



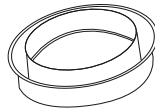
External Blower (1)



Technical content (1)



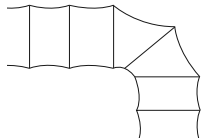
Back draft damper assembly (1)



150-200mm Duct connection adapter (1)



150mm Internal diameter 500mm PVC roof pipe (1)



200mm diameter Flexible ducting 6m (1)

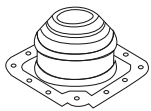


12mm Plastic self-tapping screws (4)

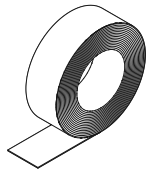


12mm Sheet metal screws (4)

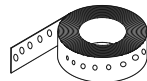
Not supplied



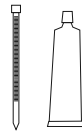
Roof seal kit



Aluminium tape
(DO NOT use duct tape)



Support straps/brackets for PVC roof pipe

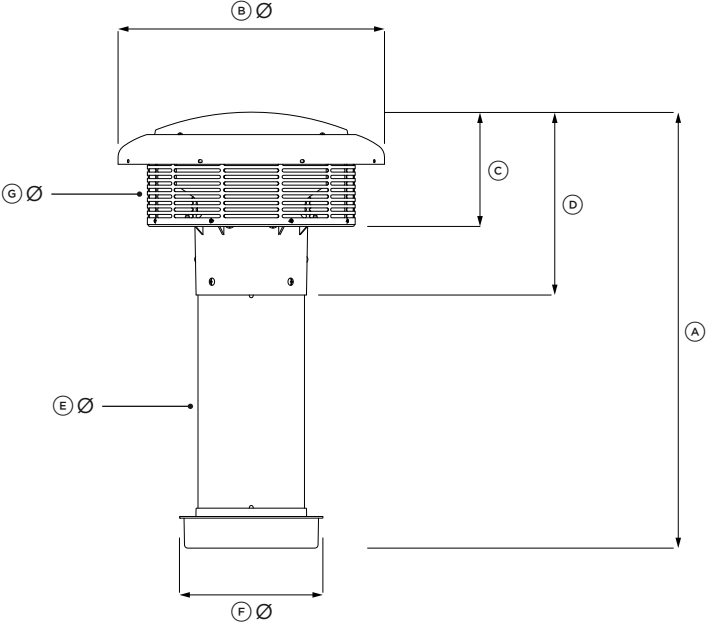


Zip ties and sealant

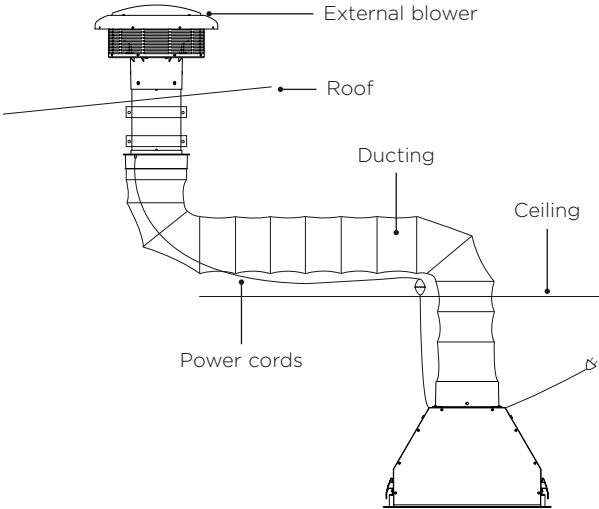
COMPATIBLE RANGEHOODS

Your external blower must be installed with a compatible rangehood. Refer to the range hood installation guide. A list of external blower compatible rangehoods can be found at fisherpaykel.com.

PRODUCT DIMENSIONS



PROFILE

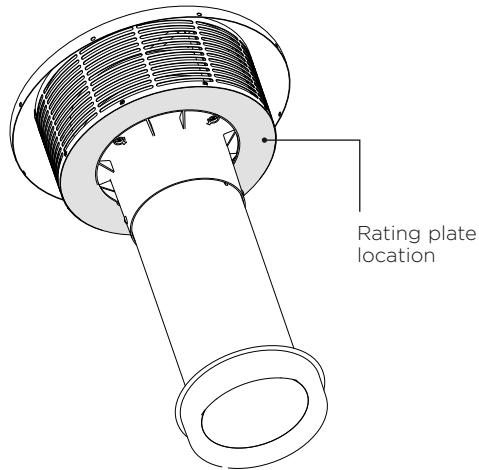


SHOWN WITH HP60IDCHEX3 (Compatible Rangehood)

| PRODUCT DIMENSIONS | HB1200E MODELS |
|--|-----------------------|
| | MM |
| Ⓐ Overall height | 755 |
| Ⓑ Overall diameter | 400 |
| Ⓒ Height of blower unit | 174 |
| Ⓓ Height of external blower and backdraft damper | 275 |
| Ⓔ Outer diameter of roof pipe | 160 |
| Ⓕ Diameter of ducting outlet | 200 |
| Ⓖ Diameter of grill | 315 |
| Length of power cord | 6000 |

Actual product dimensions may vary by ± 2mm.

ELECTRICAL REQUIREMENTS



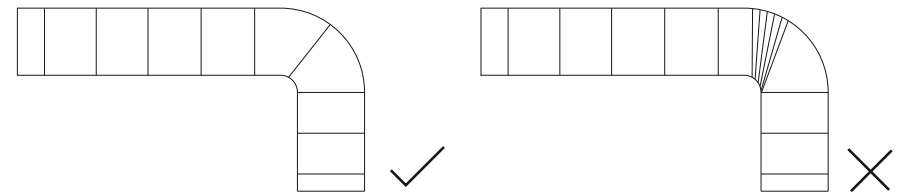
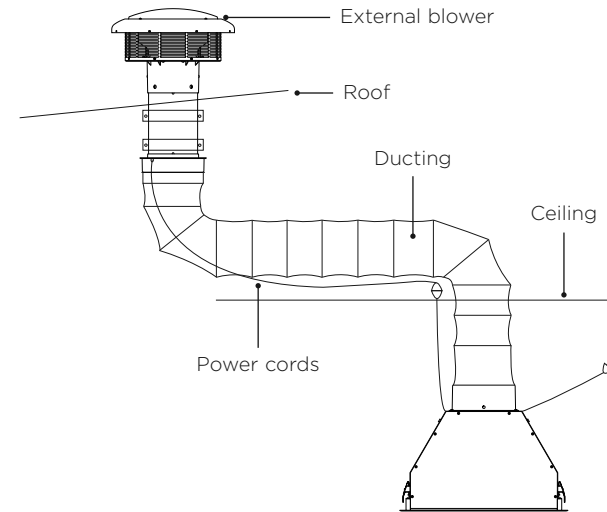
Before connecting the external blower to the power supply, ensure the voltage and frequency indicated on the rating plate match that of the installation location:

| MODEL | FREQUENCY | VOLTAGE |
|---------|-----------|---------|
| HB1200E | 50 Hz | 230 V |

VENTING REQUIREMENTS

For optimum performance of this blower:

- ① Identify roof location where blower noise will be acceptable. This will depend on the following:
 - Distance from outdoor living areas.
 - Transmission of noise through ceiling or windows located near the blower.
- ② Mount the blower with 4-6m of ducting.
- ③ Mount the blower 4-6m from the rangehood.
- ④ Use only the supplied Fisher & Paykel flexible ducting.
- ⑤ Extend ducting and cut to required length. If additional ducting is required this can be purchased from Fisher & Paykel. Refer to 'Parts and Accessories' for details.
- ⑥ Bends in ducting should be smooth, gradual and have a radius of at least two times the duct diameter.
- ⑦ Ducting from rangehood to blower has at least 2 bends. The bends in the ducting help to reduce the transmission of noise from the external blower to the rangehood.

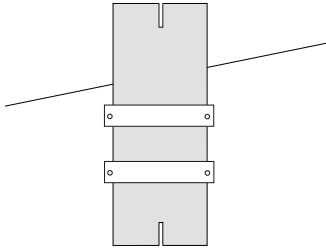


Do not crush or kink the ducting.

INSTALL EXTERNAL BLOWER

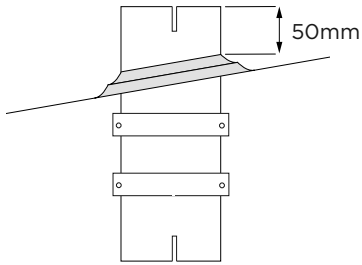
- When cutting or drilling into wall or ceiling, do not damage electrical wiring and other hidden utilities.
- **WARNING!** Failure to install the screws or fixing device in accordance with these instructions may result in electrical hazards.

1



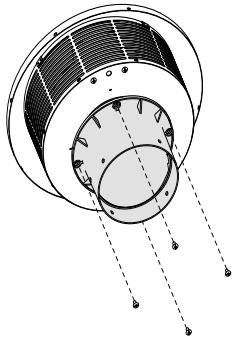
Create a hole in the roof for the PVC pipe.
Mount the PVC roof pipe securely to a sufficiently strong internal house structure. Ensure the pipe is vertical.

2



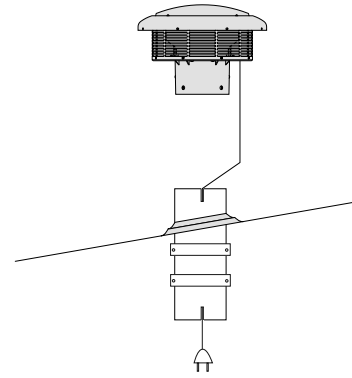
Seal the pipe with appropriate roof sealing kit. Ensure the pipe protrudes a minimum of 50mm from the seal.

3



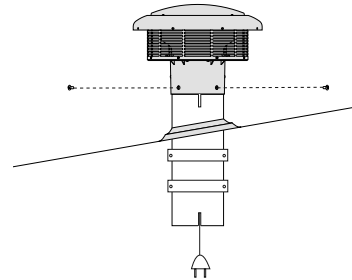
Attach back draft damper assembly to the external blower using the 12mm sheet metal screws (4) provided.

4



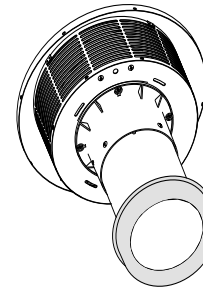
Pass the power cord and plug through the slot in the roof pipe and out the slot in the other end.

5



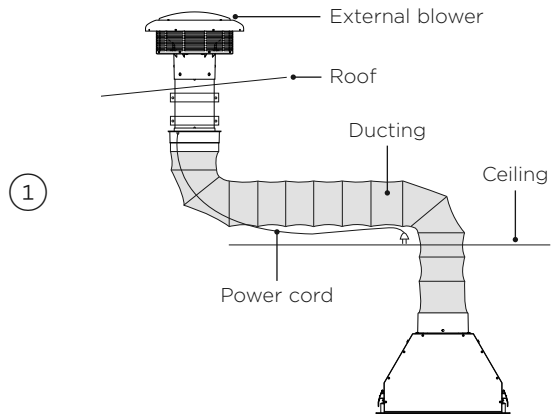
Fit the back draft damper to the pipe using the 12mm plastic self-tapping screws (4) provided.
Seal around the power cord slot with sealant as required.

6



Attach the duct connection adapter to the end of the pipe with aluminium tape.

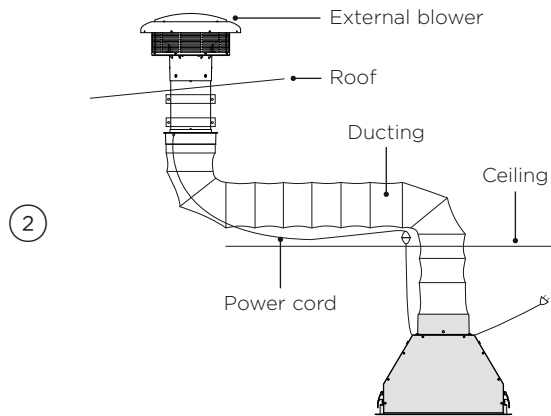
CONNECT EXTERNAL BLOWER



Connect the external blower to the rangehood using the flexible 200mm diameter 6m ducting provided.

Ensure the ducting is:

- Taut, remove excess ducting by trimming to length.
- Has at least 2 bends with recommended radius.
- Is not crushed or kinked in any location.



Install the rangehood (if not already installed) refer to rangehood installation guide.

Connect the plug from the external blower to the rangehood and plug the rangehood in.

Ensure the cable from the external blower has a low point in the routing.

PARTS AND ACCESSORIES

| ITEM | REFERENCE NUMBER |
|-----------------------------|------------------|
| Flexible ducting 200mm (6m) | 792961 |

INSTALLER CHECKLIST

TO BE COMPLETED BY THE INSTALLER

Ensure that:

- Rangehood is correctly installed
- All connections are secure
- The external blower is fitted correctly and securely
- The ducting is not bent or crushed in any areas
- There are at least two bends in the ducting
- Roof is sealed appropriately
- External blower is at least 4m away from the rangehood and in a location where the external noise is acceptable
- All local roofing regulations have been met
- Operation has been tested (refer to rangehood user guide)

Complete and keep for safe reference:

Model _____

Serial No. _____

Purchase Date _____

Purchaser _____

Dealer Address _____

Installer's Name _____

Installer's Signature _____

Installation Company _____

Installation Date _____

FISHERPAYKEL.COM

© Fisher & Paykel Appliances 2020. All rights reserved.

The models shown in this guide may not be available in all markets
and are subject to change at any time.

The product specifications in this guide apply to the specific products and
models described at the date of issue. Under our policy of continuous product
improvement, these specifications may change at any time.

For current details about model and specification availability in your country,
please go to our website or contact your local Fisher & Paykel dealer.

105953A 05.20