

S7490FW

75CM FULLY INTEGRATED SERIES COLUMN WINE CELLAR,
48 + 48 BOTTLE CAPACITY



 MADE IN ITALY	 75CM SIZE	 48 BOTTLE WINE CELLAR	 48 BOTTLE RISERVA	 DUAL MOVEMENT DOOR HINGE (PIVOT STYLE)
 OPTI-VIEW LED LIGHTS	 TOUCH CONTROL	 ANTIBACTERIAL STAINLESS STEEL INTERIOR	 WINE CELLAR	 ANTI VIBRATION
 AVAILABLE WITH LEFT OR RIGHT HINGE	 5 YEAR WARRANTY	 HUMIDITY CONTROL		

AN EXPRESSION OF QUALITY AND THE PINNACLE OF WINE PRESERVATION

For those who prefer the consistency of an aesthetic line of elegance and individuality, Fhiaba has developed a series of Integrated models realising exceptional solutions to conceal the Wine Cellar seamlessly within the interior of the kitchen space, without the compromise of comfort, functionality and design excellence.

A great wine has to be stored in a special environment. The Fhiaba cellars have been designed to store fine wines under ideal conditions. Fhiaba knows as well as anyone the four enemies of wine are: temperature, humidity, light and vibrations. Significant attention is paid to creating appliances that protect wine from each of these elements.

The Riserva Storage

All the technical and aesthetic features of our refrigeration appliances remain unchanged in our cellars. The Riserva storage compartment gives the option of modifying the humidity level as well as the storage temperature, to ensure the right environment for ageing.

Friulian Crafted Shelves

Crafted from the timber forests in Friuli, a village near the Veneto region, these shelves are made from high quality natural beechwood and are made by local Friulian craftsmen exclusively for Fhiaba. The angle of the shelves has been designed to improve the display of the labels, to make use of every inch of space of the Wine Cellar and to reserve the wine in the best way possible, including once the bottles have been opened.



Pictured: S7490FW3 with left hand hinge

S7490FW

75CM FULLY INTEGRATED SERIES COLUMN WINE CELLAR,

48 + 48 BOTTLE CAPACITY

PRODUCT DETAIL

FEATURES

- Meticulously designed & built to withstand prolonged use
- Available with left or right hand hinge options
- Provent: guarantees a homogeneous distribution of cold air and favours the deep use of the internal compartments.
- Integrated design to seamlessly blend into your kitchen
- Equilance: the variable fulcrum hinge allows the perfect flush installation and the total extraction of the internal shelves
- Smart-touch TFT controls manages and monitors the entire cellar operation process is simple to use.
- Digital temperature display for both upper and lower temperature zone
- Accurate temperatures. Thanks to the built-in thermostat, the temperature is always accurate
- Low vibration compressor
- Anti vibration system
- Insulated variable speed compressor maintains precision temperature control with minimal vibration
- Uniform temperature throughout allowing for better wine preservation conditions
- Fhiaba Link Device (FLD)
- Deep capacity within a standard depth is achieved by a side-mounted evaporator, which leaves greater interior space
- Humidity control - Our wine cellars offer three different humidity level settings: low, medium and high. This will also assist in your corks not drying out
- Satin scotch bright stainless steel exterior body AISI304

INTERIOR

- Complete anti-bacterial stainless steel interior
- 12 LED lights specifically positioned within the sides of the cellar to ensure even light throughout, regardless of what is in the compartment
- Timber shelves crafted exclusively for Fhiaba from the timber forests in Friuli, Italy
- Wine cellar compartment 1:
6 wine shelves in natural oak wood
- Wine cellar compartment 2:
6 wine shelves in natural oak wood
- Shelf capacity 749: 8 bottles / 750ml:
Fits burgundy and Bordeaux bottles
- Full extraction wine shelves with soft closing runners

FOLLOW US ON:



fhiaba.com.au

P: 1300 694 583

Eurolinx Showrooms are open Tuesday - Friday 9am - 5pm, Saturday - 10am - 4pm, Sunday and Monday - closed*

***Perth: Tuesday - Friday 10am - 4pm, Saturday, Sunday and Monday - closed**

NEW SOUTH WALES (Head Office)

48-50 Moore Street
Leichhardt

VICTORIA

2r/131 Church St,
Hawthorn

QUEENSLAND

1/42 Cavendish Road
Coorparoo

WESTERN AUSTRALIA

Unit 10/55 Howe Street
Osborne Park

Page 2/5
03052022

DISCLAIMER

Eurolinx PTY LTD, is continually seeking ways to improve the design specifications, aesthetics and production techniques of its products. As a result alterations to our products and designs take place continually. Whilst every effort is made to produce information and literature that is up to date, this brochure should not be regarded as an infallible guide to the current specifications, nor does it constitute an offer for the sale of any particular product. Product dimensions indicated in our literature is indicative only. Actual product only should be used to define dimension cut outs. Distributors, and retailers are not agents of Fhiaba and are not authorised to bind Fhiaba by any express or implied undertaking or representation.



TEMPERATURE

- Wine cellar compartment 1: from + 4 ° C to + 18 ° C
- Wine cellar compartment 2: from + 4 ° C to + 18 ° C

DOOR

- Dual-movement patented hinge, with self-balancing movement ensures stability and resistance
- Pivoting door hinge system enables the appliance to be built-in
- Three-layer glass door
- Soft closing hinge and door
- Door open alarm
- Door opening angle: 105°

NOISE

- Noise level - 40db

CAPACITY

- 48 Bottles - Wine Cellar: for storing wine ready to drink or to drink soon
- 48 Bottles - Riserva: this compartment gives the option of modifying the humidity level as well as the storage temperature, to ensure the right environment for ageing.

TECHNICAL

- Uniform 2050mm height across all Integrated models
- Energy consumption: 285kw/yr
- Net Weight: 185kg
- Power lead length: 2m
- Front and rear adjustable feet up to 25mm height

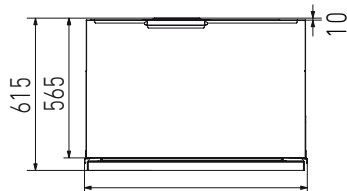
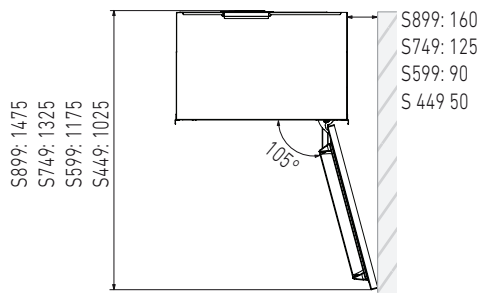
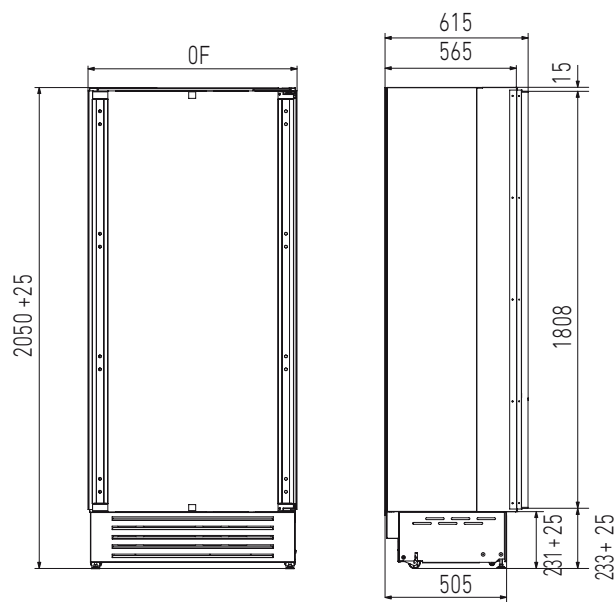
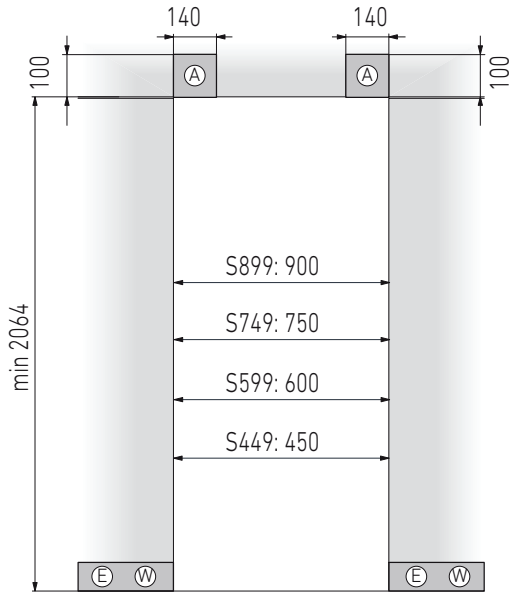
ACCESSORIES

- KCCIT Joining kit - central (Joining brackets, airflow separation included)
- AISI 304 Vertical tubular door handle, round section Ø30 mm x 1104 mm long
- BH75: Display rack for your prized bottles of wine made of solid oak wood for eight 750ml bottles or four 1.5L magnum bottles
- BK75: Display rack made of solid oak wood for eight 750ml bottles or four 1.5L magnum bottles with corkscrew and 2 prestige stopper caps
- CT75: Wooden tray made of Russian oak-plated birch wood, 2 perforated stainless steel plates, 2 covers with wooden knob, 3 mini cheese knives with olive wood handles, wooden base for the cheese knife storage
- CP75: Wooden tray made of Russian oak-plated birch wood, kitchen knife 20cm, bread knife 22cm, ham knife 26cm all with olive wood handle, with a wooden base for the knife storage

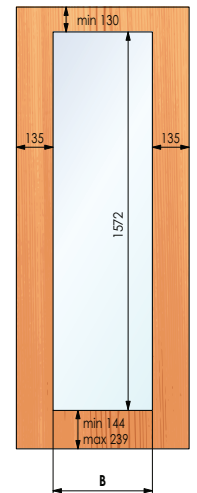
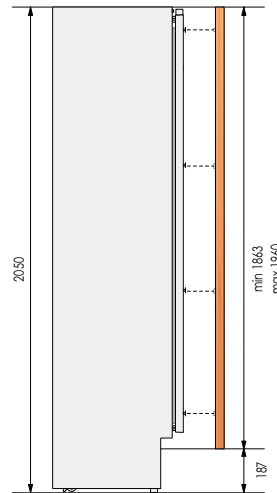
S7490FW

75CM FULLY INTEGRATED SERIES COLUMN WINE CELLAR,
48 + 48 BOTTLE CAPACITY

PRODUCT SPECIFICATIONS AND DIMENSIONS



S899: 899
S749: 749
S599: 599
S449: 449



Integrated S7490FW Panel Recommendations

Panels with a width ranging between 18mm and 28mm. Door panels with a maximum weight of 23kgs and drawer panels with a maximum weight of 11kgs.



For installation specifications, please consult with Fhiaba. For optimum installation, we recommend using the actual product as the best guide.

Series	Door / Drawer Width A	Door / Drawer Width B
749	747	477

FOLLOW US ON:

/fhiaba_refrigerationau/

fhiaba.com.au

P: 1300 694 583

Eurolinx Showrooms are open Tuesday - Friday 9am - 5pm, Saturday - 10am - 4pm, Sunday and Monday - closed*

***Perth: Tuesday - Friday 10am - 4pm, Saturday, Sunday and Monday - closed**

NEW SOUTH WALES
(Head Office)

48-50 Moore Street
Leichhardt

VICTORIA

2r/131 Church St,
Hawthorn

QUEENSLAND

1/42 Cavendish Road
Coorparoo

WESTERN AUSTRALIA

Unit 10/55 Howe Street
Osborne Park

Page 3/5
03052022

DISCLAIMER

Eurolinx PTY LTD, is continually seeking ways to improve the design specifications, aesthetics and production techniques of its products. As a result alterations to our products and designs take place continually. Whilst every effort is made to produce information and literature that is up to date, this brochure should not be regarded as an infallible guide to the current specifications, nor does it constitute an offer for the sale of any particular product. Product dimensions indicated in our literature is indicative only. Actual product only should be used to define dimension cut outs. Distributors, and retailers are not agents of Fhiaba and are not authorised to bind Fhiaba by any express or implied undertaking or representation.

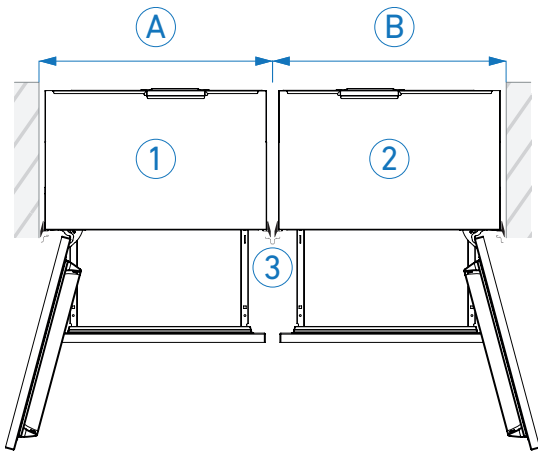
S7490FW

75CM FULLY INTEGRATED SERIES COLUMN WINE CELLAR,
48 + 48 BOTTLE CAPACITY

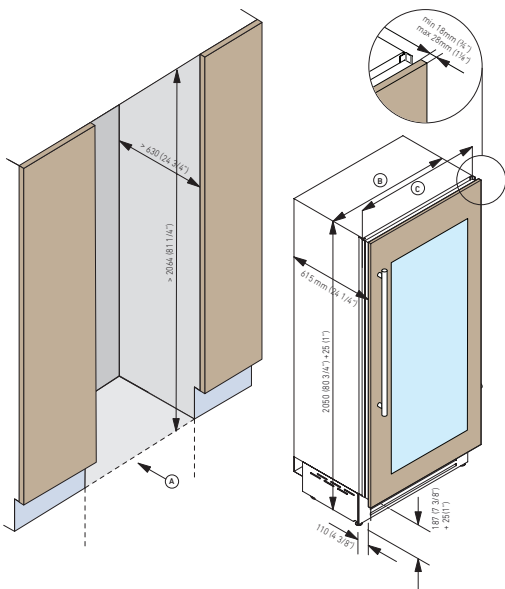
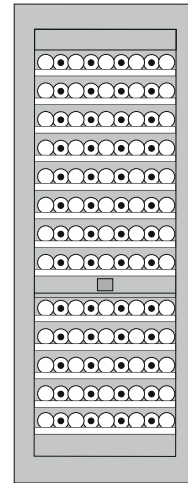
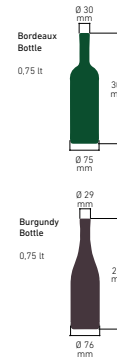
PRODUCT SPECIFICATIONS AND DIMENSIONS



Side by side installation



- 1 - Device 1
- 2 - Device 2
- 3 - Joining kit
- A - Niche device 1
- B - Niche device 2



1D | 2M
wine cellar
D = door
M = separate microclimates

TECHNICAL DATA	
Niche Width A (mm)	750
Unit Width B (mm)	737
Unit Width with lateral frames C (mm)	749

For installation specifications, please consult with Fhiaba. For optimum installation, we recommend using the actual product as the best guide.

FOLLOW US ON:

/fhiaba_refrigerationau/

fhiaba.com.au

P: 1300 694 583

Eurolinx Showrooms are open Tuesday - Friday 9am - 5pm, Saturday - 10am - 4pm, Sunday and Monday - closed*

***Perth: Tuesday - Friday 10am - 4pm, Saturday, Sunday and Monday - closed**

NEW SOUTH WALES
(Head Office)

48-50 Moore Street
Leichhardt

VICTORIA

2r/131 Church St,
Hawthorn

QUEENSLAND

1/42 Cavendish Road
Coorparoo

WESTERN AUSTRALIA

Unit 10/55 Howe Street
Osborne Park

Page 4/5
03052022

DISCLAIMER

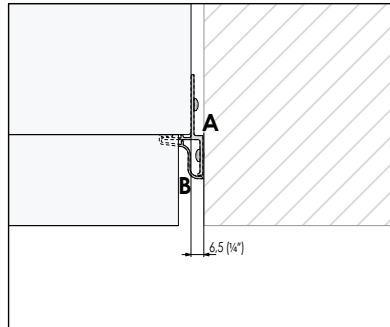
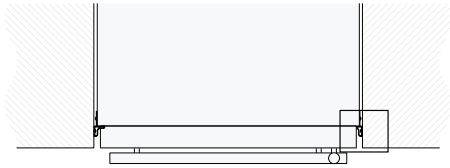
Eurolinx PTY LTD, is continually seeking ways to improve the design specifications, aesthetics and production techniques of its products. As a result alterations to our products and designs take place continually. Whilst every effort is made to produce information and literature that is up to date, this brochure should not be regarded as an infallible guide to the current specifications, nor does it constitute an offer for the sale of any particular product. Product dimensions indicated in our literature is indicative only. Actual product only should be used to define dimension cut outs. Distributors, and retailers are not agents of Fhiaba and are not authorised to bind Fhiaba by any express or implied undertaking or representation.

S7490FW

75CM FULLY INTEGRATED SERIES COLUMN WINE CELLAR,
48 + 48 BOTTLE CAPACITY
INSTALLATION INFORMATION

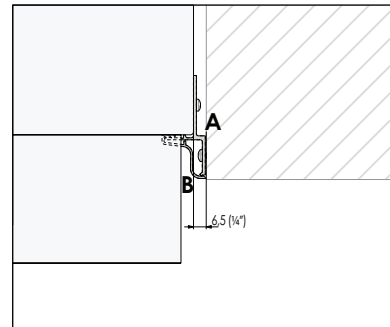


Flush installation



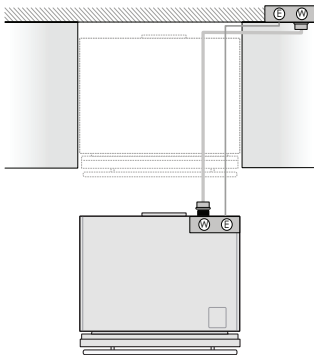
The Lateral Connection Kit (KCLIT/KCLIH/KCLMT/KCLMH) is supplied on all models (except in the unit with stainless steel sides) and consists of a connection element (A) and a aluminium frame (B).

Prominent installation

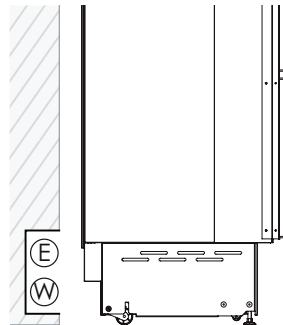



The Lateral Connection Kit (KCLIT/KCLIH/KCLMT/KCLMH) is supplied on all models (except in the unit with stainless steel sides) and consists of a connection element (A) and a aluminium frame (B).

Electrical and Water connection



Electrical and Water connection behind the unit



 For installation specifications, please consult with Fhiaba. For optimum installation, we recommend using the actual product as the best guide.

FOLLOW US ON:

 /fhiaba_refrigerationau/

fhiaba.com.au

P: 1300 694 583

Eurolinx Showrooms are open Tuesday - Friday 9am - 5pm, Saturday - 10am - 4pm, Sunday and Monday - closed*

***Perth: Tuesday - Friday 10am - 4pm, Saturday, Sunday and Monday - closed**

NEW SOUTH WALES
(Head Office)

48-50 Moore Street
Leichhardt

VICTORIA

2r/131 Church St,
Hawthorn

QUEENSLAND

1/42 Cavendish Road
Coorparoo

WESTERN AUSTRALIA

Unit 10/55 Howe Street
Osborne Park

Page 5/5
03052022

DISCLAIMER

Eurolinx PTY LTD, is continually seeking ways to improve the design specifications, aesthetics and production techniques of its products. As a result alterations to our products and designs take place continually. Whilst every effort is made to produce information and literature that is up to date, this brochure should not be regarded as an infallible guide to the current specifications, nor does it constitute an offer for the sale of any particular product. Product dimensions indicated in our literature is indicative only. Actual product only should be used to define dimension cut outs. Distributors, and retailers are not agents of Fhiaba and are not authorised to bind Fhiaba by any express or implied undertaking or representation.