

## FMIA325X

### CLASSIC 25L BUILT-IN MICROWAVE OVEN



#### COOKING FUNCTIONS:



MICROWAVE



MICROWAVE  
+ GRILL



GRILL

#### OTHER FUNCTIONS:



DEFROST BY  
TIME



DEFROST BY  
WEIGHT

#### MICROWAVE FEATURES

EAN	8017709358877
Dimensions	595mmW x 388mmH x 400mmD (refer to technical drawing)
Finish	Stainless Steel
Display	Digital
Capacity	25L
Installation	Built-in (minimum installation height is 850mm) Underbench installation is <b>NOT</b> permitted
Cavity type	Stainless steel interior
Turntable	31.5cm diameter
Power levels	5
Microwave power	900W
Grill Power	1000W
Cooking functions	Microwave, Microwave + Grill, Grill
Automatic cooking	8 - Pizza, Meat, Vegetable, Pasta, Potato, Fish, Beverage, Popcorn
Defrost	By Time and Weight
Other functions	Multi-stage cooking Quick Start option
Lighting	1 x LED
Control panel	Electronic touch pad
Opening	Side opening, touch control
Clock	LED
Timer	End of cooking acoustic alarm
Supplied accessories	1 x grill stand
Safety	Control lock, safety thermostat, microwave stops when door is opened
Power	230V, 50Hz, 10A Connection
Warranty	Two years parts and labour

#### KITCHEN VERSATILITY

Cook with speed and quality with the Smeg built-in microwave. Featuring microwave, grill and defrost functions, this microwave gets food ready in no time, making it the perfect appliance for the busy household. Plus, five adjustable power levels and eight automatic programs gives you flexibility to heat or cook various food to your preference.

#### MULTI-SECTION COOKING

Pre-set two different programs for optimal use of the microwave. The buzzer will sound once for the first section and once again when entering the second cooking phase. Its no fuss, set and forget cooking.

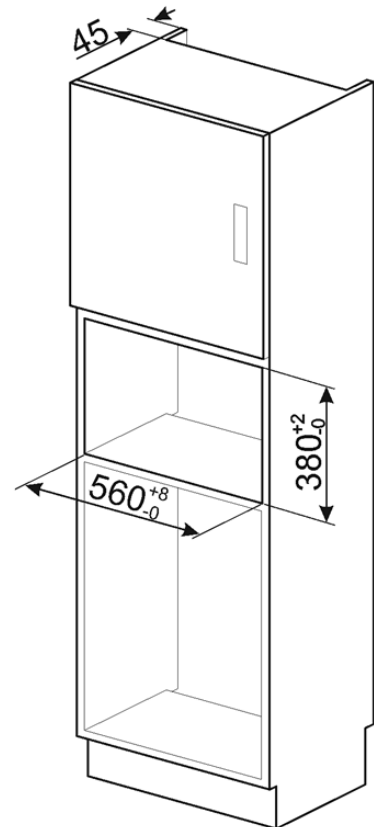
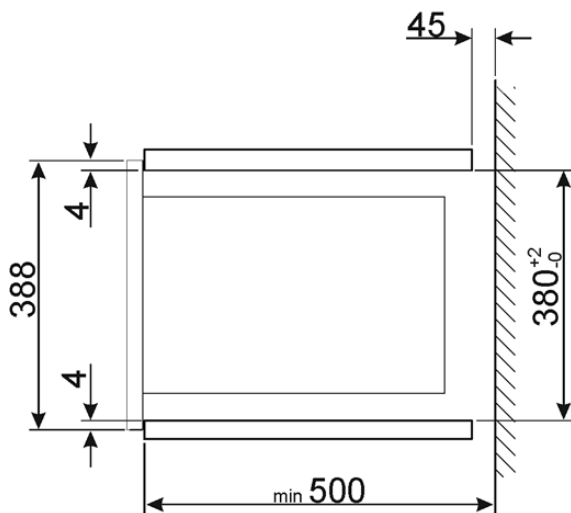
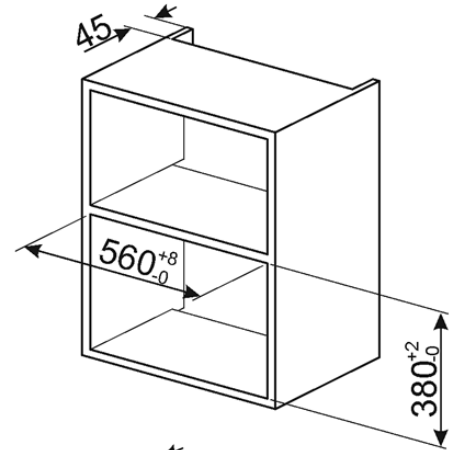
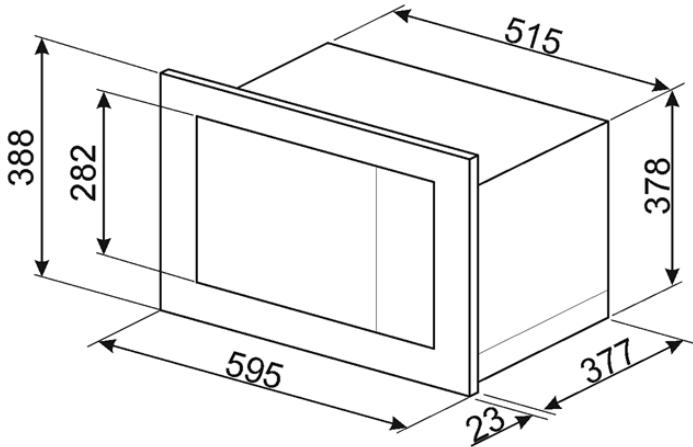
#### STYLISH BUILT-IN COMPANION

Pair with Smeg built-in ovens for a complete solution.



# FMIA325X

## CLASSIC 25L BUILT-IN MICROWAVE OVEN



PLEASE NOTE: drawings are not to scale. They are to assist only.

This model is **NOT** approved for underbench installation. The minimum installation height is 850mm.

WARNING: technical specifications and product sizes can be varied by the manufacturer without notice.

Cutouts for appliances should only be by physical product measurements. The above information is indicative only.