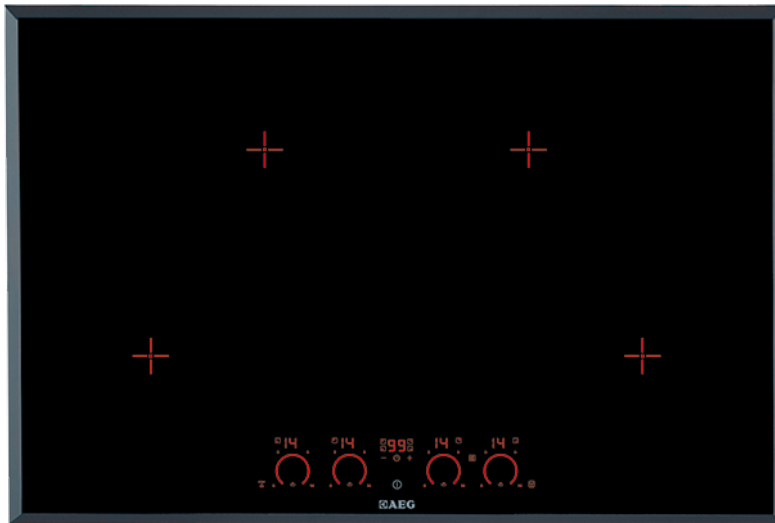


80cm Pure 4 OptiZone induction cooktop with DirekTouch controls



Product Details

FEATURES

OptiZone induction cooktop	DirekTouch™ controls	Pure black surface	OptiHeat control
3 level residual heat indication	Automax	Stop + Go: to reduce to warm setting if interrupted	Powerbooster
CountUp timer	Oko timer	Minute minder	Function control lock
Child safety device lock	Auto safety switch off	Power management Power management redistributes the electrical load to prevent electrical outages.	OffSound control

Induction technology
Induction is safe, fast and energy efficient.

BENEFITS

Superior flexibility
The OptiZone induction cooktops are developed with cooking zones which detect pan presence and location and are not restricted to traditional circular zones. This allows for multiple pots of various sizes to be placed within a cooking zone, provided they come into contact with the induction crosshairs.

DirekTouch™ system
Gives you instant access to the hobs controls and immediate control to select the precise level you need. All at the touch of a finger.

Blends seamlessly into kitchen surrounds

The unique pure black surface and bevelled edges align perfectly with every kitchen style. When the hob is switched off, the ceramic glass surface is completely black. While powered, the surface illuminates to reveal red LED backlit controls and the OptiZone cooking surfaces.

Extra efficient use of residual heat

By monitoring each heat zone as it cools, the OptiHeat control helps you make the most efficient use of residual heat. The OptiHeat control advises 3 levels of residual heat - whether the heat zone is still hot enough to cook with, hot enough to keep food warm, or simply hot to touch.

AutoMax

Our AutoMax cooking function provides fantastic automatic zone control. After you have selected the AutoMax function, it will bring the zone up to the boil and will then reduce it to your pre-selected power level for the remainder of the cooking time.

Stop + Go

The Stop+Go function gives you even greater control while cooking. When you suddenly need to interrupt your cooking, simply activate Stop+Go, and the function will switch all of the active zones to keep warm. When you are ready, touch the Stop+Go button again and all the zones return to their previous settings.

PowerBooster

Function for preparations requiring intense and fast heat-up.

Keep in control of your cooking

Timing is everything - especially where cooking is concerned. With the CountUp timer, you can monitor the cooking process even more closely. The timer starts at zero and keeps counting until you stop or reset it, so you know exactly how long each stage of the cooking process is taking.

Oko Timer

The Oko Timer is an intelligent way for you to use your resources more efficiently. When you pre-set the cooking time on the cooktop, the timer works out precisely when to switch off in order to finish cooking the dish using the cooktops residual heat. The result? The same high quality food to help lower energy bills.

Function Control lock

Controls can be locked for safety to prevent unwanted use of the cooktop, or locked while in use to prevent changes to the cooking selection.

Induction Technology

Induction cooktops offer maximum safety, automatic pot recognition ensures even if the hob is accidentally switched on, it will not heat up unless the wok is placed on the cooking zone. Induction cooktops are extremely easy to keep clean, the smooth ceramic surface can be wiped quickly, and spillages don't burn or bake on because the area surrounding the pan stays cool.

Specifications

PRODUCT PROFILE

Domestic warranty details (yrs)	5
Cooktop type	full induction
Materials/Colour	black ceramic glass
Trim finish	bevelled sides only
Removable trim (for cleaning)	No
Wok included designed to fit cooktop	No

CONTROLS

Controls of Cooktops	DirekTouch
Position of controls	front
Functions of Cooktops	stop and go,acoustic signal,automatic switch off,AutoMax automatic heat up,power booster
Indicators/display	fault indicator,3 level residual heat indicator

DIMENSIONS

Total product height (mm)	50
Total product width (mm)	780
Total product depth (mm)	520
Cut out width (mm)	750
Cut out depth (mm)	490

ELEMENTS/BURNERS

LEFT FRONT ZONE

Left front zone	induction
Left front Watts	2300
Left front boost watts	3200
Left front diameter mm	210

CONTROLS

Features of Cooktop	safety cut off,overheating protection,electronic timer,minute minder,safety child lock,function lock,sound off,automatic pan sensing
---------------------	--

Timer of Cooktop	auto off,countdown,Oko timer,CountUp
------------------	--------------------------------------

LEFT REAR ZONE

Left rear zone	induction
----------------	-----------

Left rear watts	2300
-----------------	------

Left rear diameter mm	210
-----------------------	-----

RIGHT FRONT ZONE

Right front zone	induction
------------------	-----------

Right front Watts	2300
-------------------	------

Right front diameter mm	210
-------------------------	-----

RIGHT REAR ZONE

Right rear zone	induction
-----------------	-----------

Right rear watts	2300
------------------	------

Right rear diameter mm	210
------------------------	-----

ELECTRICAL SPECIFICATIONS

Connected load KW	7.4
-------------------	-----

Type of connection	hardwired
--------------------	-----------

SHIPPING

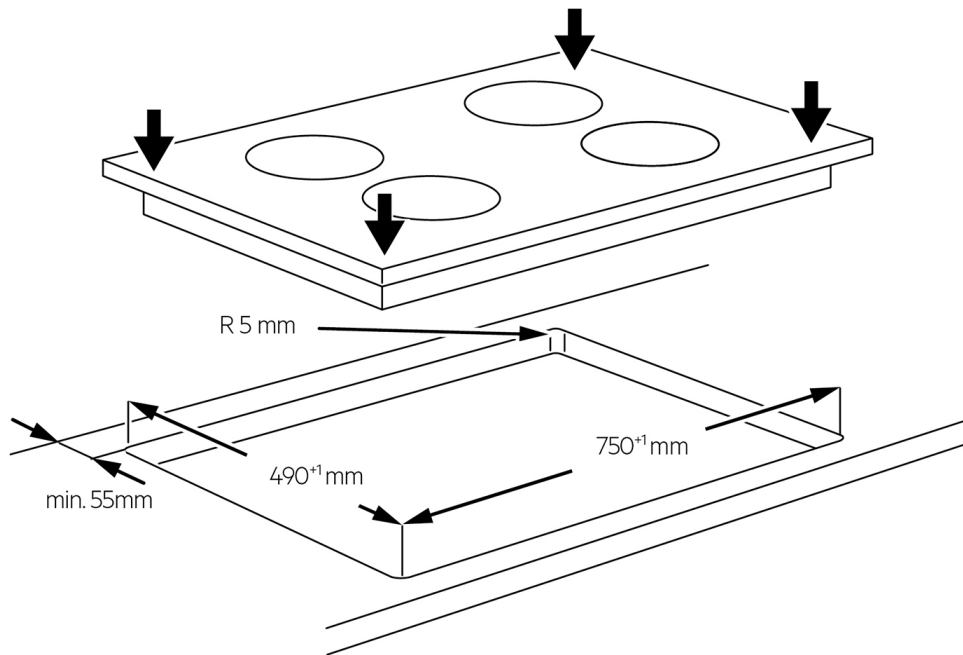
SHIPPING

Pack Dimensions Height (mm)	118
--------------------------------	-----

Pack Dimension Width (mm)	868
------------------------------	-----

Pack Dimension Depth (mm)	600
------------------------------	-----

Dimensions

**IMPORTANT**

These dimensions are a guide only. All measurements are in millimetres (mm).
For complete installation instructions, refer to the manual provided with product.

Terms and Conditions

IMPORTANT

This is a guide of product dimensions only. For complete installation instructions, refer to the manual provided with product.

PRODUCT INFORMATION

The descriptors and illustrations in this publication apply to the specific products and models described as at the date of issue. Under our policy of continuous product development, product specifications may change without notice. Prospective purchasers should therefore check with their retailer to ensure this publication correctly describes the products that are being offered for sale. All information supplied is to be used for general reference purposes only and is on the understanding that Electrolux Home Products Pty Ltd (Australia) and Electrolux (NZ) Ltd (New Zealand) will not be liable for any loss, liability or damage of whatever kind arising as a result of reliance on such information. Colours of products illustrated are as close as printing limitations allow. Electrolux will at all times comply with its obligations pursuant to law including Trade Practices (Australian Consumer Law) Act and Regulations.

WARRANTY

Electrolux Home Products warrants that for domestic applications the AEG appliances featured are free from defects in materials and workmanship for 5 years (3 months warranty for commercial applications). All warranties are subject to the conditions set out in the warranty card accompanying the product when purchased.

ELECTROLUX HOME PRODUCTS AUSTRALIA

telephone: 1300 363 664

fax: 1800 350 067

email: customercare@aegaustralia.com.au

web: www.aeg.com/au

ELECTROLUX HOME PRODUCTS NEW ZEALAND

telephone: 0800 10 66 10

fax: 09 573 2221

email: customercare@electrolux.co.nz

web: www.aeg.com/au