

SHI410X1

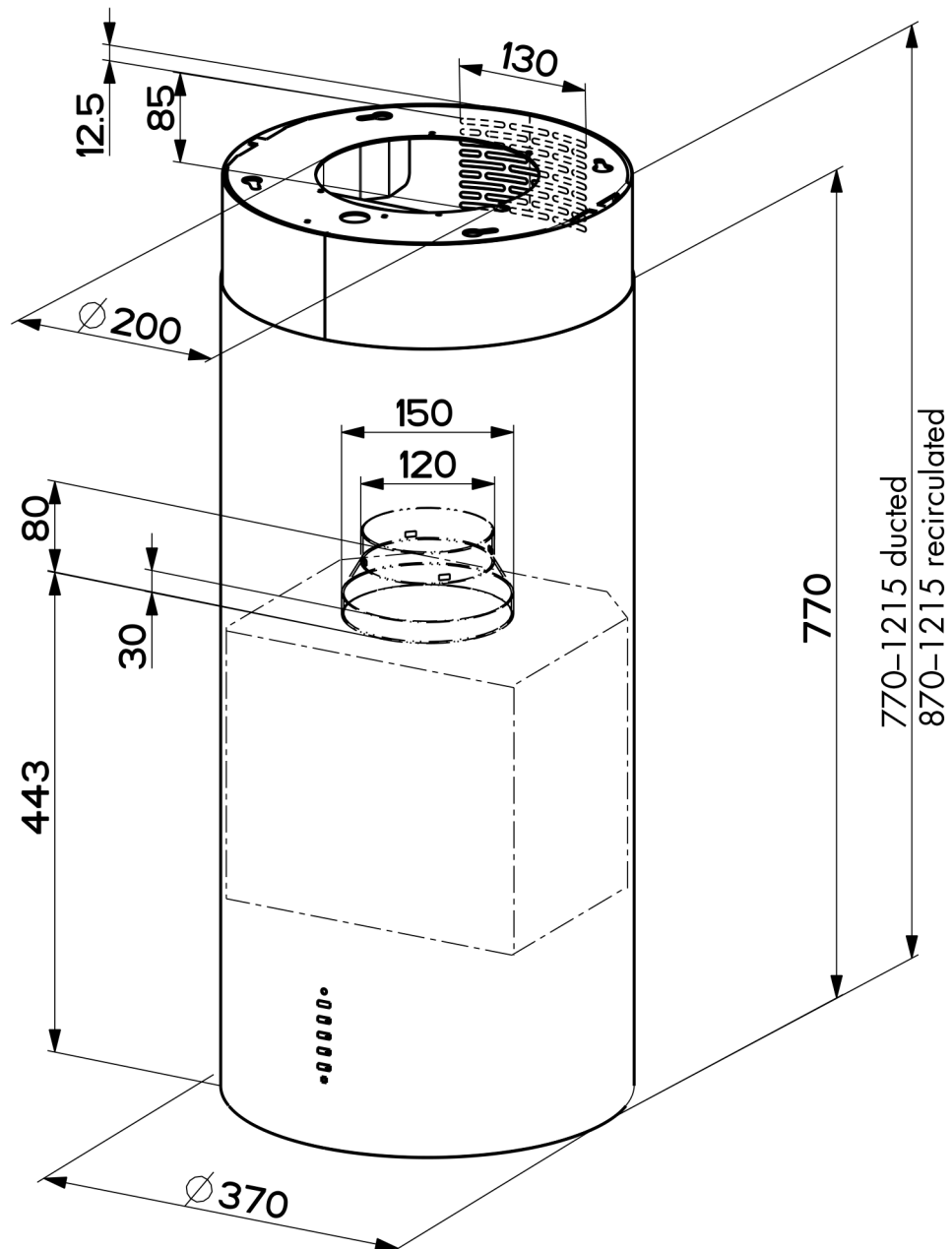
37CM ISLAND CYLINDRICAL RANGEHOOD



EAN 9345025001924

Finish	stainless steel
Dimensions	370mm Diameter x 890mmH
Installation	island
Motor	1 x 340W
Max Airflow	700m ³ /hr (IEC 61591)
Noise rating	50–69 dBA (IEC 60704–3)
Illumination	2 X 1W LED
Speeds	three
Supplied Accessories	1 x aluminium grease filters
Optional Accessories	charcoal filter part # KITFC161
Ducting Options	duct to atmosphere / recirculate — 150mm diameter ducting required
Power	220–240V, 50Hz 10A (3-pin plug)
Warranty	two years parts and labour

SHI410X1
37CM ISLAND CYLINDRICAL RANGEHOOD



PLEASE NOTE: drawings are not to scale. They are to assist only.
 WARNING: technical specifications and product sizes can be varied by the manufacturer without notice.
 Cutouts for appliances should only be by physical product measurements. The above information is indicative only.