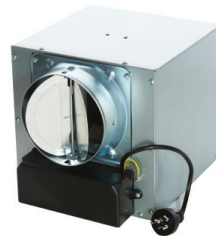


INLC60

Off Board Canopy Rangehood 600mm

Euromaid

made for you.



Separate fan motor

Features

- Stainless Steel flat canopy rangehood
- 1000 m³/hr air extraction
- Separate fan motor - ceiling cavity installation
- Ducted operation
- 3 speed push button controls
- 2 x energy efficient LED lights
- 2 x baffle filters
- 3 metre flexi-duct - included

Specifications

- Airflow: 1000 m³/hr
- Lighting: LED lights
- Total Wattage: 269watts
- Ducting Spigot Size: 150 mm

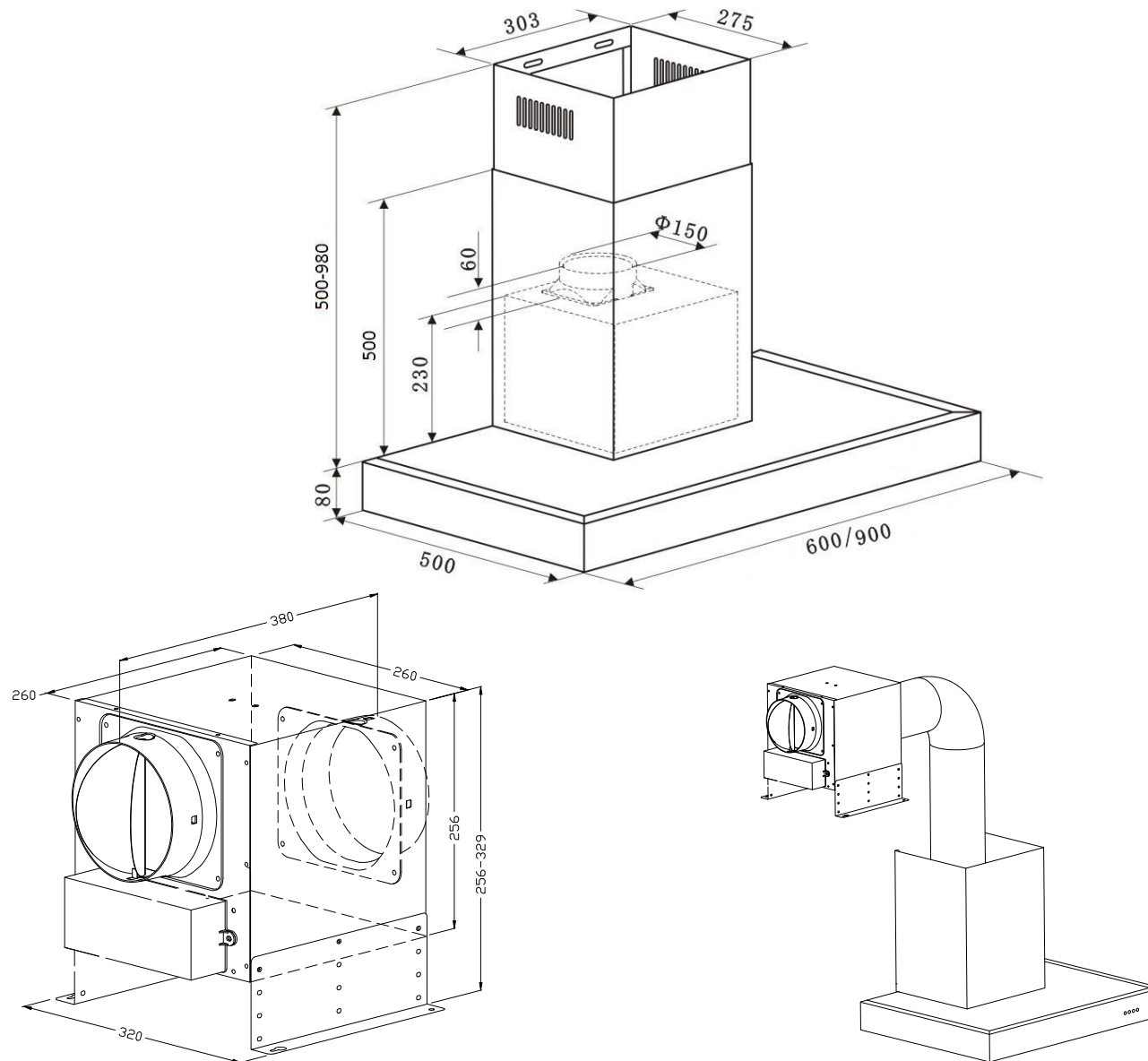
Total Power

- Power: 220 -240 volt / 50Hz
(fitted with 10amp, 3 pin plug)
- Power Cord: 4+ metre cable

INLC60

Dimensions & Installation

Euromaid
made for you.



Product Dimensions

600mm (W) x 500mm (D) x 500 - 980(H)

The location of the fan unit shall allow access for maintenance and repair.

Permanent fixed means of access is required where the fan unit location is beyond the extent of normal steps or ladders.

The fan motor must be firmly affixed to the ceiling rafters.



Warranty
2 year Parts and Labour