






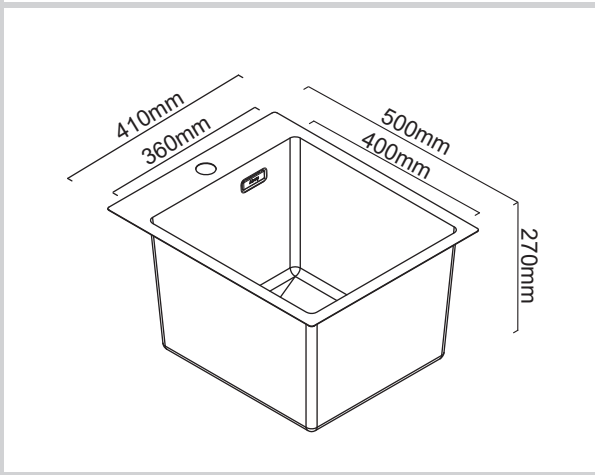
Model Code: W12-36L

Included Accessories

 6020/OFLOW4	 WK-OF	 ICC12

Optional Accessories

Dimensions



Specifications

Description	Sink, Stainless Steel, Single Bowl
Overall Sink Size	410mm x 500mm x 270mm deep
Bowl Dimensions	360mm x 400mm x 270mm deep
Drainer Length	N/A
Technic	Fabrication
Material	1.0mm Stainless steel SUS304

Installation

Fixings	N/A
Template	N/A
Min Cabinet Size	500mm
Waste Holes	1 x 90mm round Compatible with waste disposal

Plumbing

Waste Fittings	1 x (90mm x 2") basket waste included
Overflow	Included

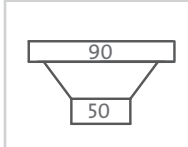
Packaging

Carton Type	EPS protection & individual carton
Gross Weight	5.3Kg
Carton Size	460mm x 555mm x 310mm
Pack QTY	1

SURFACE FINISH



WASTE KIT



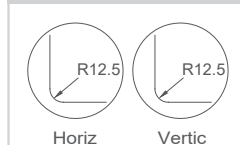
MATERIAL



INSTALLATION OPTIONS



PROFILE



Abey are Australia's leader in sinkware, designing and manufacturing to the world's highest quality specifications as well as sourcing and bringing you Europe's very best, leading edge designs – practical, affordable, inspirational, stylish, timeless or cutting edge. When you buy an Abey stainless steel sink you receive the highest quality and a 25 year warranty. Abey and the manufacturer are continually seeking ways to improve the design specifications, aesthetic and production techniques of the products. As a result, alterations to the specifications and dimensions of the products and design occur continually.