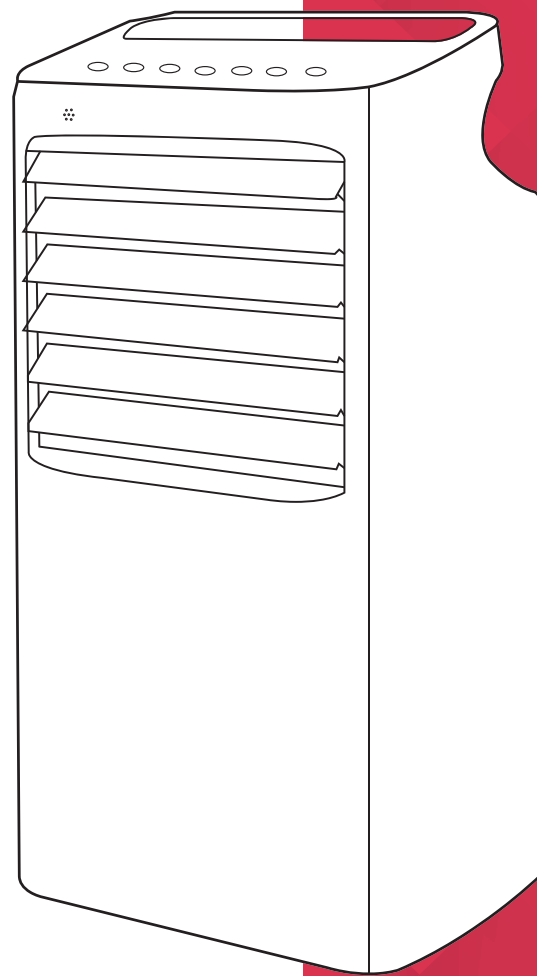




INSTRUCTION MANUAL



10L Evaporative Cooler

Model: DCEVP10

For domestic household use only.



IMPORTANT

THESE INSTRUCTIONS SHOULD BE READ CAREFULLY AND RETAINED FOR FUTURE REFERENCE. **Note also the information presented on the appliance**

CAUTION: FAILURE TO FOLLOW THESE INSTRUCTIONS MAY CAUSE INJURY AND/OR DAMAGE AND MAY INVALIDATE YOUR WARRANTY

Please read the operating instructions carefully before using your evaporative cooler for the first time and keep them in a safe place.

WARNING – This appliance must not be used in a bathroom.

WARNING – Do not use this appliance in the immediate surroundings of a bath, a shower or a swimming pool.

- If the mains lead is damaged it must only be replaced by the manufacturers service agent or a similarly qualified person in order to avoid a hazard.
- This appliance is not intended for use by persons (including children) with reduced physical, sensory or mental capabilities, or lack of experience and knowledge, unless they have been given supervision or instruction concerning use of the appliance by a person responsible for their safety.
- Children should be supervised to ensure they do not play with the appliance.
- Disconnect the appliance from mains power whenever it is not in use, before relocating it, during filling, and before cleaning.
- Never immerse the appliance in water or other liquids.
- Operate this unit only on a firm, flat surface to avoid the risk of water leakage. Ensure that the unit is kept upright at all times.
- Do not place on soft, unstable or non-horizontal/angled surfaces.
- Never operate the appliance if a cable or connector has been damaged, after appliance malfunction or if the appliance was dropped or is otherwise damaged.
- Please ask a professional service agent to repair the product. Improper repair may cause danger to users.
- Operate the appliance only at the voltage specified on the rating label.
- Only connect the unit to a properly installed and easily accessible socket so that you can quickly disconnect the plug if necessary.
- Do not connect this product to the mains using an extension lead.
- This evaporative cooler is only intended for **INDOOR RESIDENTIAL** applications. This evaporative cooler should not be used for commercial or industrial or leisure applications or in small enclosed spaces.

- Never use the mains lead as a carrying strap or pulling lead.
- To avoid a fire or electrocution hazard, **NEVER** put the cord near heat registers, radiator, stoves or heaters.
- **DO NOT** cover cord with carpeting, throw rugs, runners, or similar coverings.
- **DO NOT** route cord under furniture or appliances. Take care to position the cord away from traffic areas and where it will not be a tripping hazard.
- **DO NOT** use the unit near windows or where water collects. Rain and water collection may lead to a risk of fire or electric shock.
- Only operate this appliance with a minimum of 50cm clearance all around i.e. away from walls, furniture and overhanging objects such as curtains or a shelf.
- To prevent spillage, empty the water tank before lifting or relocating the appliance.
- **WARNING:** To avoid danger of suffocation please remove all packaging materials particularly plastic and EPS and keep these away from vulnerable people, children and babies.
- **NEVER** drop or insert any object or fingers into any openings.
- Do not use the appliance in locations where paint, petrol or other flammable liquids are used or stored.
- Do not use bug sprays or other flammable cleansers/vapour sprays on or around the unit.
- Always switch off the unit and take the plug out of the socket:
 - If you are not using the unit
 - Before you clean or carry out maintenance on the unit
 - If a fault occurs
 - In the event of an electrical storm.
- Avoid electromagnetic interference. Keep the unit at least 1 metre away from electrical appliances such as televisions & radios.



Exposed to the weather outdoors



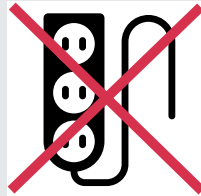
Near water



If the power cable wires are frayed or cut



Where small children may be left unattended



If an extension lead may become overloaded



Where the power cable may be damaged



On a slope or uneven surface



Where there is risk of fire or close to a naked flame



Where it may be damaged by chemicals



Where there is a risk of interference by foreign objects



This product is not made for DIY repair



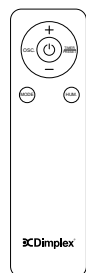
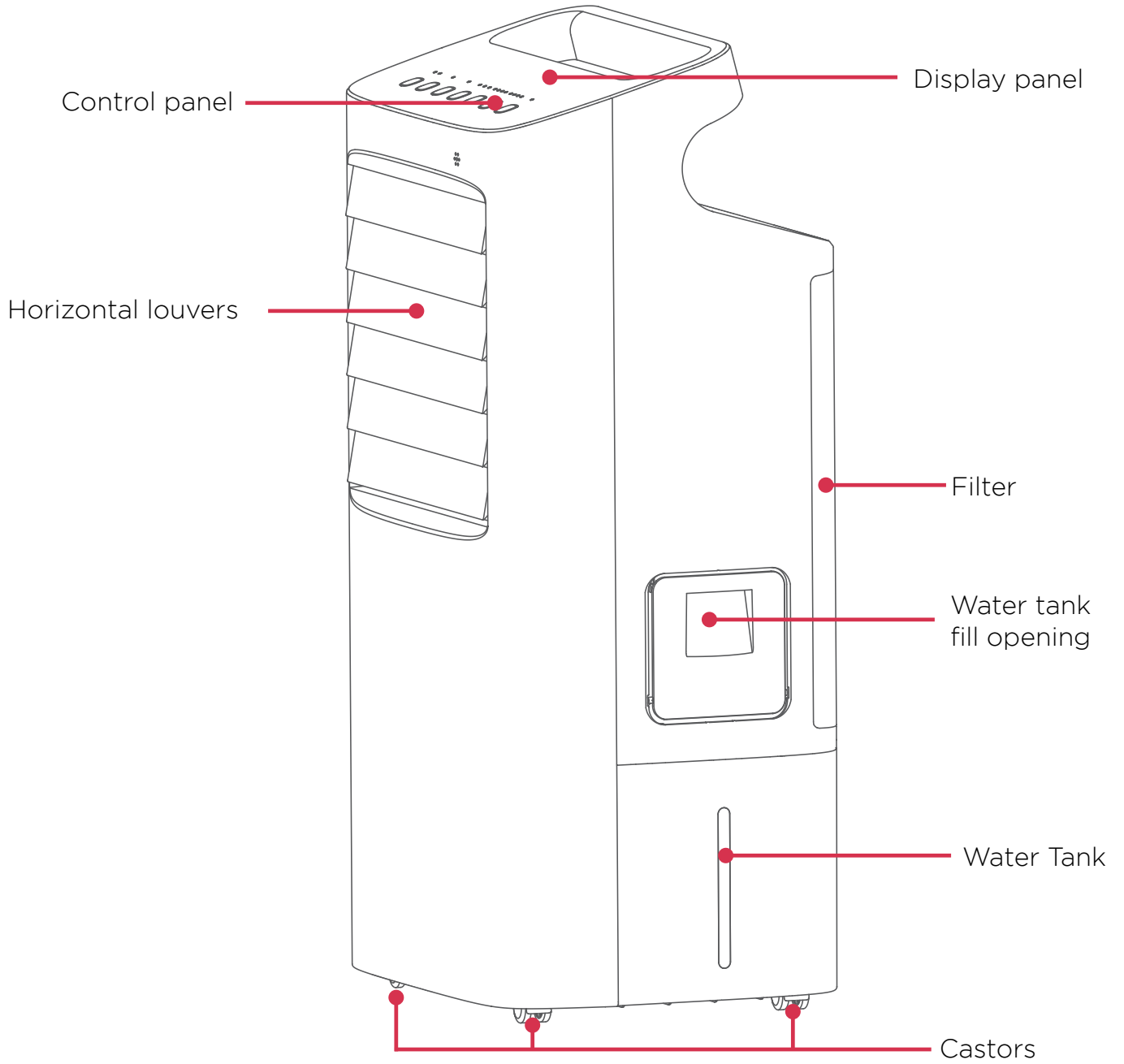
If there is a risk of water falling on the unit

Specification

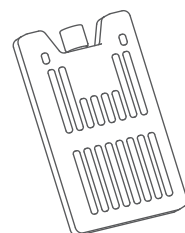
Model no.	DCEVP10
Colour	White/Black
Power supply	220-240V~, 50Hz
Rated power	68W
Speed settings	4
Modes	3 (natural, normal & sleep)
Turbo air speed	8m/s
Water tank capacity	10L
Remote control	Y
Timer	0-15 hours
Swing function	Y - Auto
Controls	Button with LED display
Max. room size	20m ²
Water consumption	1.1L/h (high speed)
Weight (net)	9.92kg
Dimensions (w x d x h)	380 x 310 x 760mm

- For greater precision, please always refer to the rating label placed on the product.

Parts

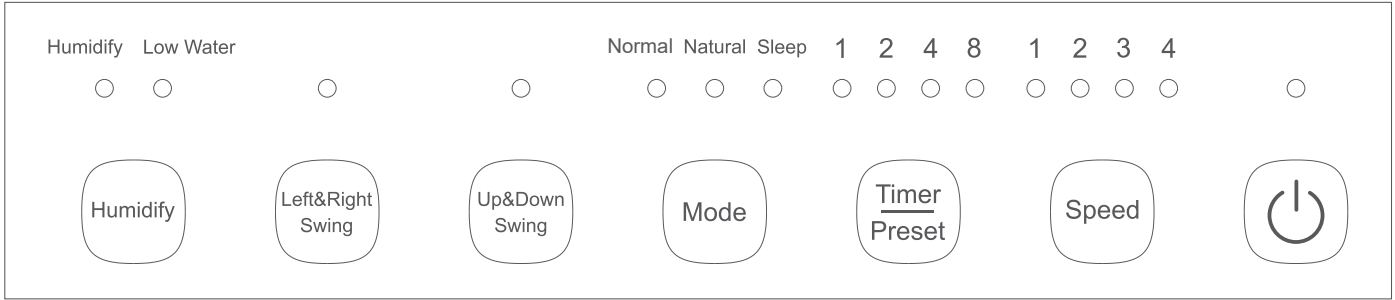


Remote

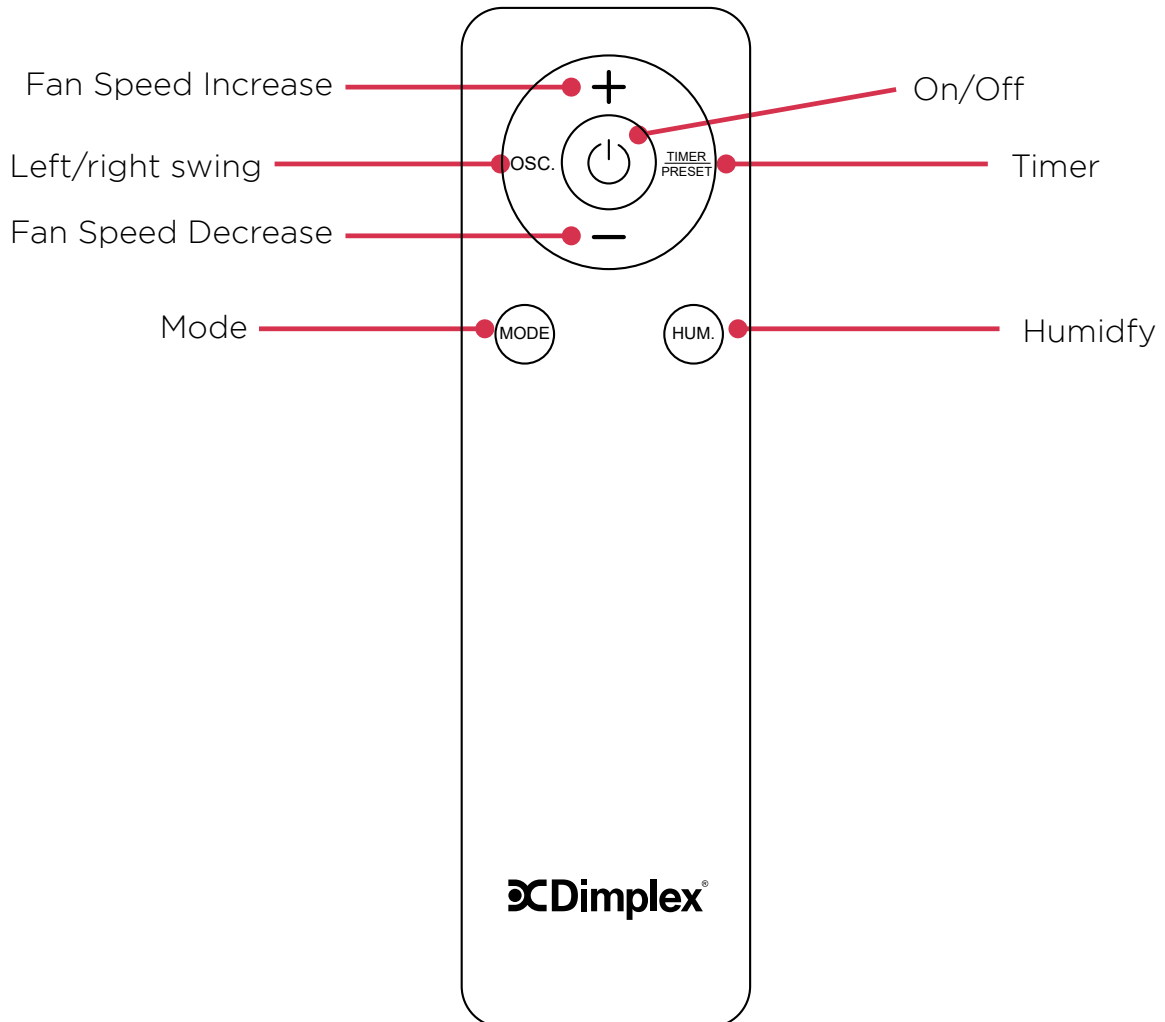


Ice pack x 2

Display & Control Panel



Remote Control



Note: The buzzer will make a long sound when the power supply is first connected and the indicators will flash for 2s. The unit is in 'standby' until the ON/OFF button is pressed.

ON/OFF

After connecting the cord to a power outlet press the **ON/OFF** button to turn the unit **ON**. To turn the unit **OFF** press this button again.

FAN SPEED

The unit has 4 **FAN SPEEDS** and is adjusted from the lowest speed to the highest speed. The selected fan speed LED indicator light will illuminate according to the **FAN SPEED** selected.

TIMER / PRESET

The auto-off **TIMER** can be set in 1 hour increments up to a maximum of 15 hours. Press the **TIMER** button while the unit is **ON** until the desired time is shown on the LED indicators on the display panel. The unit will automatically turn **OFF**.

To activate the **PRESET** mode, press the button while the unit is in Standby mode, and the unit will be set to turn **ON** after the **PRESET** time is complete. The **PRESET** time will show on the indicator lights.

MODE

The unit has 3 different modes, as described below, and the default mode after turning **ON** is normal. Press the **MODE** button to select modes in this sequence: normal > natural > sleep. The **MODE** indicator light will illuminate accordingly.

Normal: Constant wind speed.

Natural: Changing wind speeds to simulate natural wind.

Sleep: Changing wind speeds to simulate natural wind, however the unit will automatically turn off after 8 hours.

UP/DOWN SWING

Press the **UP/DOWN** button to start the horizontal swing function. The **UP/DOWN SWING** LED indicator light will illuminate. Press the button again to turn off the function.

LEFT/RIGHT SWING

Press the **LEFT/RIGHT** button to start the vertical swing function. The **LEFT/RIGHT SWING** LED indicator light will illuminate. Press the button again to turn off the function.

HUMIDIFY

To activate the **HUMIDIFY** function, press the **HUMIDIFY** button once to turn on. Ensure there is enough water in the water tank. The LED indicator light will illuminate once activated. Press this button again to turn off the **HUMIDIFY** function, and to use as a fan only.

The unit is also equipped with the below functions.

LOW WATER PROTECTION

When there is insufficient water in the water tank, the pump will stop working for 1 minute, and then the **LOW WATER** indicator will start to flash. It won't stop the other functions from working, just the **HUMIDIFY** function. Fill the water tank if this happens.

DIM DISPLAY

When the unit is working, after 40 seconds of any buttons being pressed, the indicator lights will dim. Press any button (except for the **ON/OFF** button) and the indicator lights will reactivate.

MEMORY FUNCTION

This unit has a memory function. When the fan is turned **OFF**, it memorises the settings previously used. When the unit is turned **ON** again, it will start in the same settings as previously used (unless the power supply was fully disconnected). If the unit was in **SLEEP** mode previously, it will start in natural wind mode.

AUTO OFF

If there isn't any change in settings after 15 hours of constant use, the unit will turn **OFF** automatically. This is an additional safety feature in case the unit is left **ON** accidentally.

FILTER REMOVAL PROTECTION

If the filter has been removed during operation (not recommended!), the unit will stop working until the filter is replaced. The unit will enter standby mode and will need to be turned **ON** again if this happens.

REMOTE CONTROL

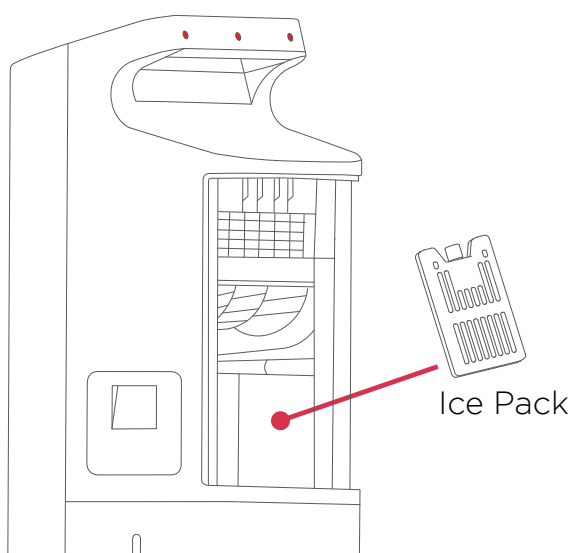
This unit comes with a remote control, and all settings can be control via the remote.

IMPORTANT: Never remove the water tank or open the cover when the unit is ON and operating!

ICE PACKS

The unit comes with 2 x ice packs. Ice packs are used to increase the cooling capacity. Please place the ice packs in the freezer before use. It takes about 4 hours to freeze completely - depending on the freezer.

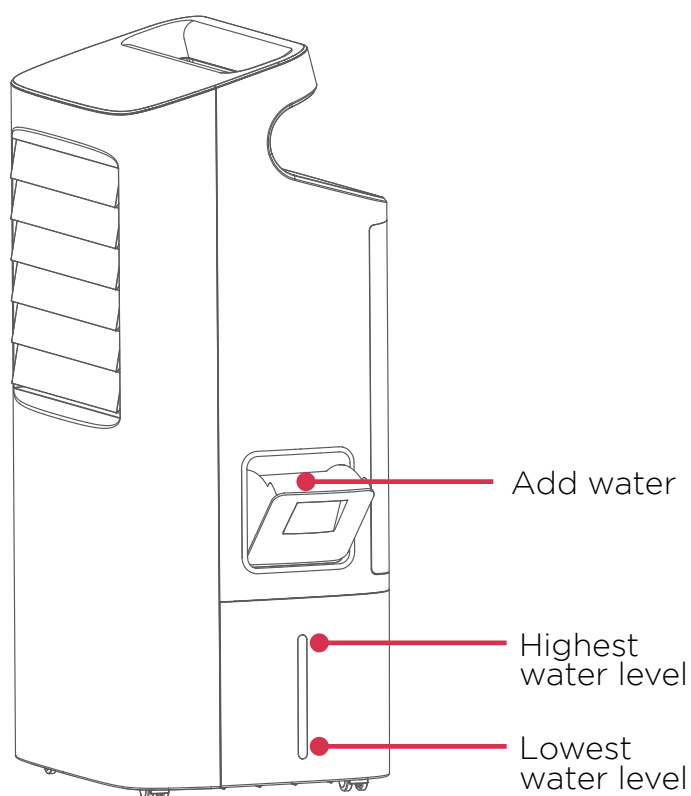
1. Once the ice pack is frozen, place the ice pack in the position by the rear filter screen - refer to below diagram.
2. Always ensure the unit is OFF before placing or removing the ice pack.



FILLING THE WATER TANK

This unit has an integrated water tank, to fill, follow the below directions.

1. Open the latch on the side of the unit, and if the water tank is already installed correctly, pour water slowly and directly into the tank.
2. Keep an eye on the water level window indicator.



Operation

1. Remove the unit from its packaging
2. To begin using the **HUMIDFY** function, ensure the water tank is filled with water by checking the water level window indicator.
3. For extra cooling power, place the ice pack (supplied) into the unit as described on page 10..
4. Plug into a power supply and press the **ON/OFF** button to start the appliance.
5. The unit will operate initially on a continual basis. If a set period of operation is required, please follow the **TIMER** instructions on page 8.
6. Select the desired fan **FAN SPEED** by pressing the **FAN SPEED** button. Refer to page 8 for different settings.
7. Select the operation **MODE** as required, by pressing the **MODE** button. Refer to page 8 for different settings.
8. Press the **LEFT / RIGHT** swing function as required.
9. To switch the unit off at any time, press the **OFF** button.

Precautions

- Do not overfill the water tank (check the MAX fill line).
- Use only cold, clean filtered water.
- The unit is equipped with a number of safety devices, including a water shortage protection & filter removal protection.
- Do not allow the same water to sit in the machine for a prolonged period.
- It is recommended that any water left in the machine for 3 days or more be removed and replaced with clean water.
- The control panel must not come in contact with water or any other liquids.

Using the Remote Control

1. Open the battery cover of the remote control, and insert a 2 x AAA batteries.
2. Please point to the receiver when using the remote control.
3. If the battery voltage is low, please open the battery cover as per the diagram and replace with new batteries (2 x AAA). Then replace the battery cover.

Your unit is designed to remove dirt and other atmospheric impurities by drawing air through the air filter. **DO NOT** block the air filter, as this will impair the efficiency of the unit. Pushing the unit up against a wall or operating it in close proximity to long window drapes will also impair the unit's air flow and efficiency.

Rear Air Filter

- This is easily accessible by removing the rear screen and filter.
- Disconnect the unit from the main supply & remove the filter. Gently wash the filter in mild, soapy water, dry and replace. Be sure to re-fit the rear screen securely. No special tools are required for this.

Water tank filter screen

- While the rear air filter is removed, put your hand in the water tank and remove the small water tank filter by pulling gently upwards.
- Clean the filter with a soft brush and warm water. Replace filter once clean.

Water Tank

The water tank is integrated, however it should be cleaned regularly. If not cleaned, deposits may build up affecting the efficiency of the unit. Cleaning the tank with mild soapy water once every few weeks is recommended. To do this, follow the steps below:

1. Disconnect the appliance from the main power supply.
2. Remove the rear air filter.
3. Remove the rubber plug and let any water drain out. Replace the rubber plug and fill the tank with soapy water and use a cloth to gently wash around.
4. Flush out the soapy water and rinse with clean water until all soap suds are gone..
5. Replace the plug, fill with clean water, and reverse the procedure and ensure the rear air filter is in place.

Outside Cabinet

1. Turn the unit OFF and disconnect the appliance from the power supply.
2. Remove any dust build up with a soft brush.
3. Wipe the surface of the unit with a soft damp cloth. Mild detergent can be used for any stubborn marks.

Do not use abrasive sponges, scouring pads, or a stiff brush to clean the unit.

IMPORTANT

The control panel and other parts must not come into contact with water or any other liquids.

Maintenance

Storage

If not using the unit for an extended period of time. After cleaning please:

- Turn the unit off, unplug and take care of the mains lead & plug.
- Cover the unit and store it upright in a location where it will not receive direct sunlight.
NB- Prolonged exposure to direct sunlight will discolour the enclosure.

If you have lost your user manual or the unit fails to operate efficiently, is broken or other problems arise, unplug and do not operate. Ask for advice by calling your local after sales service agent or the Customer Care Centre on 1300 556 816 (AU) / 0800 666 2824 (NZ).

Warranty

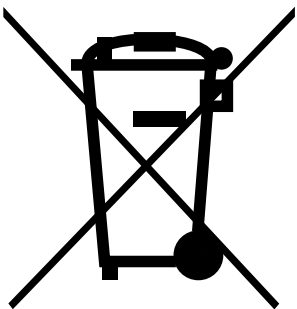
Please refer to the warranty card in the box for warranty information. For any troubleshooting advice, please contact the relative Customer Care Centre below.

Glen Dimplex Australia Pty Ltd

1340 Ferntree Gully Road,
Scoresby 3179, Victoria
Australia
Ph: 1300 556 816

Glen Dimplex New Zealand Ltd

38 Harris Road, East Tamaki,
Auckland 2013
New Zealand
Ph: 0800 666 2824



Recycling: Do not dispose of electrical appliances as unsorted municipal waste. Use separate collection facilities. Contact your local government for information regarding the collection systems available. If electrical appliances are disposed of in landfills or dumps, hazardous substances can leak into the ground water, polluting the food chain and damaging health and well-being.



Customer Care: 1300 556 816
customer.care@glendimplex.com.au
www.dimplex.com.au

Supplied by Glen Dimplex Australia
1340 Ferntree Gully Road, Scoresby, Victoria, 3179

© Glen Dimplex Australia. All rights reserved. Material contained in this publication may not be reproduced in whole or in part, without prior permission in writing of Glen Dimplex Australia.