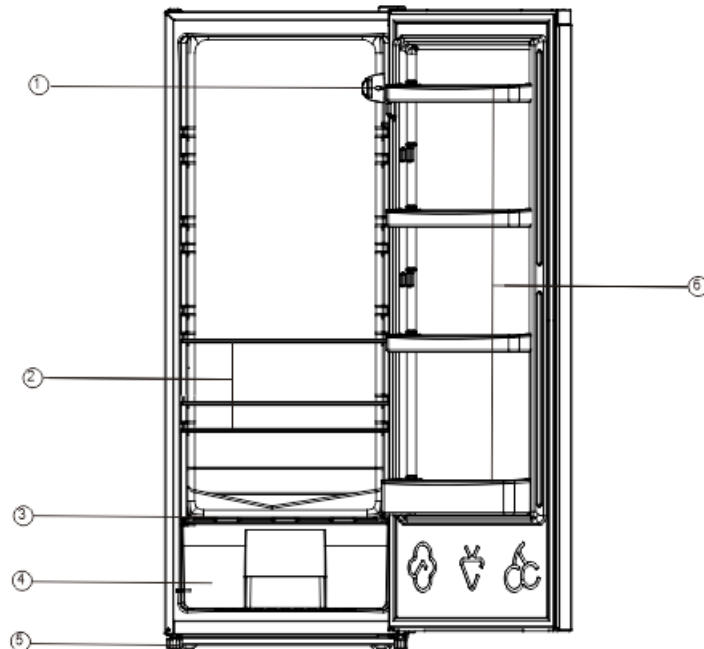


PART NAMES AND LOCATIONS



1	Thermostat
2	Refrigerator Shelves
3	Crisper Cover
4	Salad Crisper
5	Adjustable Feet
6	Bottle Retainers

IN ACCESSORY BAG: USER MANUAL, WARRANTY CARD

As the manufacturer holds the authority to redesign or modify its products without notice:

Any modifications or upgrades of our products will result in this Cooler varying slightly from this manual but the functionality will remain the same to that as set out within this manual.

IMPORTANT SAFETY INSTRUCTIONS



Follow these basic precautions to reduce the risk of fire, electrical shock hazards or injury when operating the Cooler

- **This product has been designed for using in a normal domestic environment. It is not intended for commercial use which will void warranty, such as supermarket, food shop, pharmacy, commercial kitchen & etc.**
- This appliance is not intended for use by persons (including children) with reduced physical, sensory or mental capabilities, or lack of experience and knowledge, unless they have been given supervision or instruction concerning use of the appliance by a person responsible for their safety.
- Children should be supervised to ensure that they do not play with the appliance. Cleaning and user maintenance shall not be made by children without supervision.
- It is critical to use this appliance safely. Read all instructions before operating the Cooler and do not attempt to repair or modify this unit in any way as it can cause harm or void the warranty.
- Please ensure all persons using this appliance are also informed and comply with the details set out within this manual and the product Terms and Conditions.
- When unpacking the appliance for the first time, keep all cardboard and plastic packaging out of reach from children.
- Report any notable defects with the appliance to CHiQ or retailer as soon as it is noted. Failure to do so can result in a non-warranty claim. Keep all packaging materials in a safe location until the unit has been installed properly.
- If the supply cord is damaged, it must be replaced by the manufacturer, its service agent or similarly qualified persons in order to avoid a hazard. It is recommended the power cord is situated in a safe location when operating or transporting the appliance to prevent any damage that may cause electrical shock or fire hazards.

- **DANGER or WARNING:**

This unit is not designed for outdoor installation.

This appliance is intended to be used in household and similar applications such as

- staff kitchen areas in shops, offices, and other working environments.
- farmhouses and by clients in hotels, motels, and other residential type environments.

- bed and breakfast type environments.
- catering and similar non-retail applications.

Service of this unit

The installation or any service of the appliance is recommended by a qualified technician or service company.

Ventilation Hazards

Never clean the Cooler or Cooler parts with flammable fluids, or store gasoline or any other flammable vapors and liquids in the vicinity of this or any other Cooler as the gas and/or vapour can cause a fire hazard, explosion or inhalation.

Electrical Connection

Make certain, when installing or moving the unit that the power outlet has been connected to, has been fitted by a qualified electrician and the ground wire has been connected properly to meet the Australian Electrical Standards.

R600a WARNINGS

NOTE: This model uses R600a flammable refrigerant in its sealed system. The following must be observed for your safety:

R600a Refrigerant Warning

- This appliance contains **0.03kg** R600a refrigerant which is environmentally friendly, but flammable. It does not damage the ozone layer, nor does it increase the greenhouse effect.
 - During transportation and installation, ensure that the tubing of the refrigerant circuit is not damaged.
 - Leaking refrigerant can ignite and may damage the eyes.
 - In the event any damage does occur, avoid exposure to open fires and any device which creates a spark. Disconnect the appliance from the mains power.
 - Thoroughly ventilate the room in which the appliance is located for several minutes.
 - Notify Customer Service for necessary action and advice.
 - The room for installing the appliance must be at least 1 cubic meter per 8 grams of refrigerant. The refrigerant quantity contained in this appliance is listed above in grams; it is also noted on the Rating Plate of the appliance.
- * Do not store explosive substances such as aerosol cans with a flammable propellant in this appliance.



Warning: Risk of fire/flammable materials

It is hazardous for anyone other than an Authorized Service Person to carry out servicing or repairs to this appliance. In Queensland the authorized person must hold a Gas Work Authorization for hydrocarbon refrigerants, before carrying out servicing or repairs which involve the removal of covers.

1. Keep ventilation openings, in the appliance enclosure or in the built-in structure, clear of obstruction.
2. Do not use mechanical devices or other means to accelerate the defrosting process, other than those recommended by the manufacturer.
3. Do not damage the refrigerant circuit.
4. Do not use electrical appliances inside the food storage compartments of the appliance, unless they are of the type recommended by the manufacturer.
5. Do not store explosive substances such as aerosol cans with flammable propellant in the appliance.

6. WARNING: When positioning the appliance, ensure the supply cord is not trapped or damaged.
7. WARNING: Do not locate multiple portable socket-outlets or portable power supplies at the rear of the appliance.



Do not drag or lift the refrigerator directly from its top frame when moving the refrigerator, to avoid damaging the top frame.

Disposal

The environment and personal safety must be considered when disposing of this appliance. Please ensure the appliance is taken to a recycle center for safe recycling. DO NOT dispose of the appliance in land fill as the insulation and refrigerant gas contained in these appliances are flammable.

INSTALLATION INSTRUCTIONS

Before Using the refrigerator

- Remove the exterior and interior packing.
- Before connecting the Cooler to a power source, let the unit stand upright for approximately 4 hours to mitigate the possibility of a malfunction in the cooling system from improper handling during transportation.
- Clean the interior surface with warm water using a soft cloth.

Installing the refrigerator

Dimensions in mm:

W	D	H	A	B	C(°)	E	F
540	576	1440	945	1040	135±5	50	100

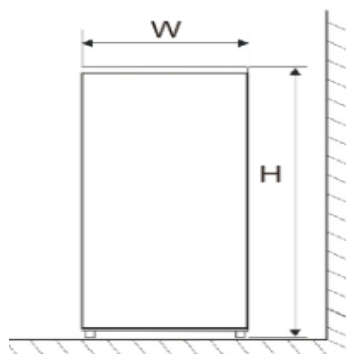


Fig. 1

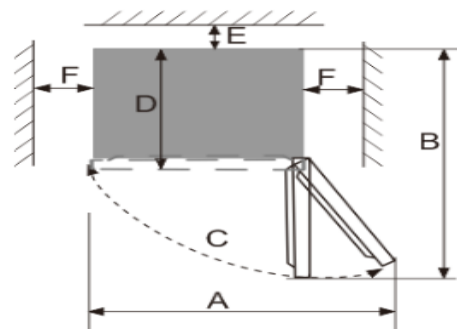


Fig. 2

- **Place the refrigerator on a concrete, tile floor or waterproof floor is recommended. The fridge will produce defrost water or condensation moisture; it might cause water damage in some extreme circumstances.**
- This appliance is designed to be free standing only, and should not be recessed or built in.
- There are no wheels on the bottom of the unit, please lift it up when move the appliance. **Don't push or pull it when it sits on the flooring which might be damaged or scratched.**
- **Allow at least 5cm of space between the back and sides of the Cooler to allow proper air ventilation.** Insufficient space will result in cooling and working life issue and voiding warranty.

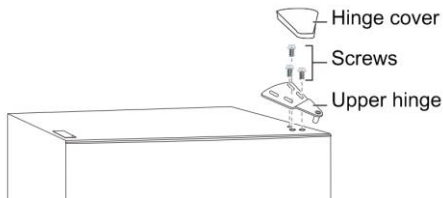
- Place the Cooler on a **leveled/even** floor surface that is strong enough to support the weight of the Cooler when it is fully loaded to prevent vibrations.
- **Place the Cooler on a concrete, tile floor or waterproof floor is recommended. The fridge will produce defrost water or condensation moisture; it might cause water damage in some extreme circumstances.**
- **The bottom feet can be adjusted to level the appliance properly.** Adjust the two feet to keep the Cooler leveled or elevated.
- Situate the Cooler away from direct sunlight and sources of direct heat (stove, heater, radiator, etc.). Direct sunlight may also affect the acrylic coating and heat sources may cause an increase in power consumption.
- This unit is not designed for outside installation.
- Avoid situating the Cooler in moist OR **pest infestation** areas.
- Plug the Cooler into dedicated, properly installed-grounded wall outlet. Do not under any circumstances cut or remove the third (ground) prong from the power cord. Any questions concerning power and/or grounding should be directed toward a certified electrician or an authorized service center.
- After plugging the appliance into a wall outlet, turn the unit on and allow the unit to cool down for 4-6 hours before placing food in the Cooler.
- Do not place heavy items on the top of this appliance.

ENERGY SAVING TIPS

- Allow hot foods to cool to room temperature before placing in the Cooler. Overloading the Cooler forces the compressor to work harder. Foods that freeze too slowly may lose quality, or spoil.
- Be sure to wrap foods properly, and wipe containers dry before placing them in the Cooler. This cuts down on frost build-up inside the Cooler.
- Organize and label food to reduce door openings and extended searches. Remove as many items as needed at one time and close the door as soon as possible.

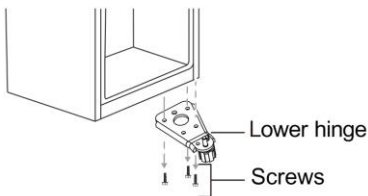
DOOR REVERSAL INSTRUCTIONS

1. Make sure that your refrigerator is unplugged.
2. Pry the hinge cover up and off, remove the three screws that secure the upper hinge to the door, then remove the hinge.

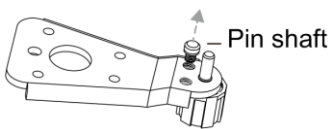


3. Remove the compartment door from the cabinet.

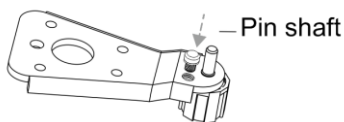
4. Remove the screws that secure the lower hinge to the right side of the cabinet, then remove the hinge.



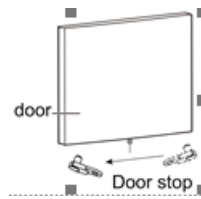
5. Remove the washer and nut that secure the pin shaft to the right hole on the lower hinge, then remove the shaft



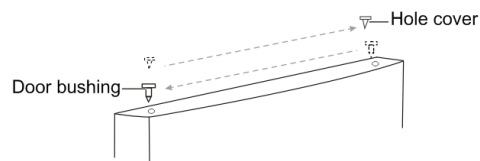
6. Insert the pin shaft into the left hole on the lower hinge, then secure the shaft with the washer and nut.



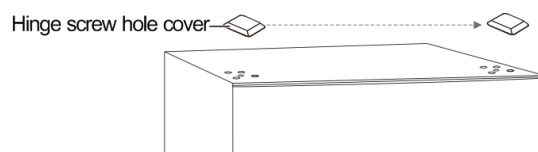
7. Install the lower hinge on the left side of the cabinet.
8. Remove the screw that secures the door stop from the bottom right of the compartment door, then remove the door stop and install to the bottom left side.



9. Install the compartment door.
10. Move the door bushing from the top right side of the door to the top left side of the door. And move the left hole cover to the right side.

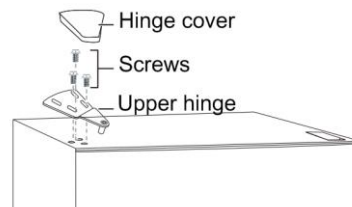


11. Remove the hole cover from the top left side of the cabinet and secure the cover on the top right side of the cabinet.



12. Secure the upper hinge to the top left side of the cabinet with the three screws you removed previously. Before you tighten the upper hinge screws, make sure that the top of the door is level with the cabinet and that the rubber gasket makes a good seal.

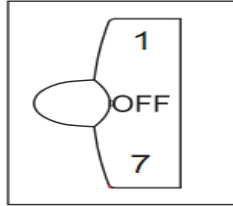
13. Install the hinge cover over the hinge on the top left side of the cabinet.



Note: Ensure the rubber gaskets are making a good seal with the cabinet all the way around the doors before tightening the hinge screw.

OPERATING INSTRUCTIONS

Temperature setting



- The temperature of the appliance can be adjusted by turning the thermostat dial. The thermostat can be set between 1 and 7.
- 1 is the warmest setting.
- 7 is the coldest setting.
- Set the dial to OFF to turn off the cooling function.
- Under the normal operating condition (in spring and autumn), it is recommended to set the temperature at 4.
- In summer when the ambient temperature is high, it is recommended to set temperature at 3-4, to guarantee the Beverage Cooler
- temperatures and reduce the refrigerator's continuous running time; and in winter when the ambient temperature is low, it is recommended to set temperature at 5-6 to avoid frequent start/stop of the Beverage Cooler.
- Notes: The temperatures may vary with respect to settings due to compressor cycles and outside conditions.

Please note the appliance is using sensitive thermostat, it will keep more stable temperature inside the unit. In order to do so, the compressor might cut in and out more often which is normal operation of the unit.

GENERAL CARE AND MAINTENANCE

Defrosting your cooler

- There is slight frosting on the surface of the evaporator during the use of the product. The beverage cooler defrosts during the cut in and cut off time of the temperature controller. After defrosting, the water will be collected in the water pan through the water pipe inside the box, and the heat generated during the operation of the compressor will evaporate the water in the water pan.

Cleaning the cooler

- Upon installation of your new appliance, it is recommended that it be cleaned thoroughly and properly maintained thereafter.
- Turn off the Cooler and then unplug the unit from the wall outlet.
- Remove all food content before washing the inside with a damp cloth soaked in lukewarm water and dishwasher liquid. **Don't use any chemical detergent which might damage coating or inner liner of the cooler.**
- Be sure to keep the door gasket (seal) clean to keep the unit running efficiently as improper cleaning can cause the seal to dislodge and tear.
- Dry the interior and exterior with a soft cloth.

Vacation Time

- Turn off the Cooler first and then unplug the unit from the power point.
- Remove all food.
- Clean the Cooler.
- Leave the lid open slightly to avoid possible formation of condensation, mold, or odors.
- Use extreme caution in the case of children. The unit should not be accessible to child's play.
- **Short vacations:** Leave the Cooler operating during vacations of less than three weeks.
- **Long vacations:** If the appliance will not be used for several months, remove all food and unplug the power cord. Clean and dry the interior thoroughly. To prevent odour and mold growth, leave the door open slightly.

Repositioning and Relocating the Cooler

- Unplug the power cord from the wall outlet.
- Remove all the food and drinks.
- Securely tape down all loose items inside your Cooler.
- Tape the doors to be closed securely.
- It is recommended that the Cooler stays in the upright position during transportation. But if it is laid down for transport purposes, please lift it up immediately after the job is done. Please wait for at least 24 hours before putting in the power.

TROUBLESHOOTING GUIDE

Case	Inspection	Solutions
Completely non-refrigeration	<p>Is power plug off? Are breakers and fuses broken? No electricity or line trip? Where is the refrigerator installed? Is it placed in balconies, garages, storage rooms and other places where the ambient temperature is below 10°C?</p>	<p>Re-plug Opening the door and checking whether the lamp is lit. Power outage or line tripping? Install refrigerator in a location that is protected and the ambient temperature is above 10 °C .If your refrigerator is installed in too low t emperature,the internal cooling system ma y not work correctly.</p>
•Abnormal noise	<ul style="list-style-type: none"> • Is refrigerator stable? • Does refrigerator reach the wall? 	<ul style="list-style-type: none"> • Adjusting refrigerator's adjustable feet. • Off the wall.
•Poor refrigerating efficiency	<ul style="list-style-type: none"> • Do you put hot food or too much food? • Do you open the door frequently? • Do you clip food bag to the seal of door? • Direct sunlight or near a furnace or stove? • Is it well-ventilated? • Temperature setting in too high? 	<ul style="list-style-type: none"> • Putting food into refrigerator when hot food becomes cool. • Checking and closing the door. • Removing the refrigerator from the heat source. • Emptying the distance to maintain good ventilation. • Setting to the appropriate temperature.
•Peculiar smell in refrigerator	<ul style="list-style-type: none"> • Any spoiled food? • Do you need to clean refrigerator? • Do you pack food of strong flavors? 	<ul style="list-style-type: none"> • Throwing away spoiled food. • Cleaning refrigerator. • Packing food of strong flavors.

For any enquiries, please call the CHiQ Cusotmer care on: 1300 796 688