

**Series 6, Wall-mounted canopy  
rangehood, 90 cm, Stainless steel  
look  
DWB97DN30A**



- DWZ1FB1B6 Long-life Clean Air odor filter (repl.)
- DWZ1FB3I6 Long-life Clean Air recirculation kit
- DWZ1FB3K2 Chimney extension 1000 mm

- **Eco Silence Drive™**: the quiet, energy-saving and powerful motor for rangehoods.
- **Smart Hood Automatic**: adjusts the fan speed based on cooktop\* settings for stress-free cooking.
- **DirectSelect**: easy selection of desired power and light settings.
- **LED Illumination**: perfect illumination of your cooking with adjustable light temperature.
- **Filter saturation monitoring**: automatic reminders to clean your metal grease filters.

---

Color chimney: ..... Stainless steel look  
 Typology: ..... Wall-mounted  
 Length electrical supply cord: ..... 130 cm  
 Height of product, without chimney: ..... 60 mm  
 Minimum distance above an electric cooktop: ..... 600 mm  
 Minimum distance above a gas cooktop: ..... 650 mm  
 Net weight: ..... 15.2 kg  
 Type of control: ..... Electronic  
 Number of power settings: ..... 3-stages + intensive setting  
 Max. air extraction: ..... 399 m<sup>3</sup>/h  
 Boost position output recirculating: ..... 677.0 m<sup>3</sup>/h  
 Max. air recirculation: ..... 410 m<sup>3</sup>/h  
 Boost position air extraction: ..... 699 m<sup>3</sup>/h  
 Number of lights: ..... 2  
 Noise level: ..... 56 dB(A) re 1pW  
 Diameter of air outlet: ..... 150 mm  
 Grease filter material: ..... Washable stainless steel  
 EAN code: ..... 4242005530519  
 Connection rating: ..... 115 W  
 Voltage: ..... 220-240 V  
 Frequency: ..... 50 Hz  
 Plug type: ..... AU plug  
 Installation type: ..... Wall-mounted

---



## Series 6, Wall-mounted canopy rangehood, 90 cm, Stainless steel look DWB97DN30A

### Design:

- Wall-mounted
- Suitable for ducted or recirculated extraction

### Features:

- EcoSilence Drive: Efficient BLDC technology
- 2 x LED 3W with adjustable colour temperature lights
- SoftLight: the lighting elements switch on and off smoothly.
- Dimming function: the brightness of the lighting elements can be adjusted.
- Colour Temperature: 3500 K
- Light Intensity: 461 lux
- 3 metal grease filter(s)

### Comfort Features:

- Glass fascia front panel with integrated control elements for an easy operation
- Electronic control via backlit TouchControl
- 3 power settings plus intensive setting
- Automatic reset from intensive to normal setting after 6 min
- Automatic after running (10 minutes)

### Digital Features:

- Home Connect: operate, monitor and set preferences of your rangehood via smartphone or tablet.
- Cooktop-based rangehood control: automatically activates the rangehood when cooking, thanks to the WiFi connection of the rangehood and a suitable cooktop.
- Smart Hood Automatic: Rangehood automatically adapts fan speed thanks to cooktop continuously providing cooking data (works with all current Series 6 induction hobs; for other Home Connect cooktops, the rangehood can be controlled directly from the cooktop, provided a connected Home Connect account is available)
- Voice Control enabled via popular voice assistants
- Customisable Performance Profiles: choose between standard, performance or silence profiles to increase the extraction rate or reduce the fan noise via Home Connect App
- LED light with adjustable light temperature: Allows you to adapt the light temperature to your personal needs via Home Connect App
- Saturation indicator, set and reset function for grease filter and odour filter available via Home Connect app.
- After run function: available via Home Connect App
- Interval function: available via Home Connect App
- The Home Connect functionality can be extended by integrating numerous applications from external cooperation partners (partnerships)
- Updateable appliance (available with connected Home Connect account): keep appliance always up to date with latest status of software.

### Cleaning Comfort:

- Easy to clean smooth surfaces and materials
- metal grease filter dishwasher-safe
- Coated surfaces to reduce fingerprints

### Exhaust/Ducted Mode:

- According to EN 61591 and EN/ IEC 60704-2-13 your appliance can achieve the following values in exhaust mode: Speed 1: extraction rate 242 m<sup>3</sup>/h; noise level 43 dB (A) re1pW Speed 2: extraction rate 335 m<sup>3</sup>/h; noise level 51 dB (A) re1pW Speed 3: extraction rate 399 m<sup>3</sup>/h; noise level 56 dB (A) re1pW Intensive 1: extraction rate 699 m<sup>3</sup>/h; noise level 68 dB (A) re1pW

### Recirculation Mode:

- For recirculation operation Long-life Clean Air recirculation kit (accessory) needed
- According to EN 61591 and EN/ IEC 60704-2-13 your appliance can achieve the following values in recirculation mode with Long-life Clean Air recirculation kit (available as optional accessory):
- Speed 1: extraction rate 239 m<sup>3</sup>/h; noise level 50 dB(A) re1pW
- Speed 2: extraction rate 334 m<sup>3</sup>/h; noise level 59 dB(A) re1pW
- Speed 3: extraction rate 410 m<sup>3</sup>/h; noise level 64 dB(A) re1pW
- Intensive Speed 1: extraction rate 677 m<sup>3</sup>/h; noise level 73 dB (A) re1pW
- The Long-life Clean Air odour filter absorbs intense odours, such as fish, as well as pollen. The lifetime can be extended up to 4 times by refreshing the filter in the oven

### Technical Information:

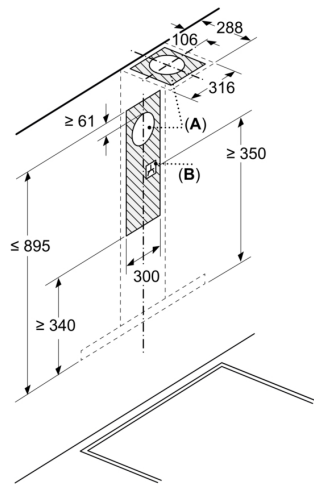
- Consumption data:
- Power rating: 115 W
- Voltage: 220 - 240 V
- Sustainability:
- Made in Germany: produced at a CO2 neutral production site
- Expanded plastic free packaging

### Planning and Installation Information:

- Reduced assembly effort thanks to the easy installation method
- Dimensions exhaust air (HxWxD): 635-895 x 898 x 500 mm
- Dimensions recirculating (HxWxD): 803-943 x 898 x 500 mm
- Diameter pipe Ø 150 mm
- Electrical cable length 1.3 m

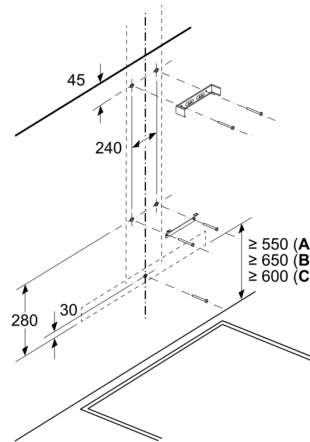
**Series 6, Wall-mounted canopy  
rangehood, 90 cm, Stainless steel  
look  
DWB97DN30A**

Measurements in mm



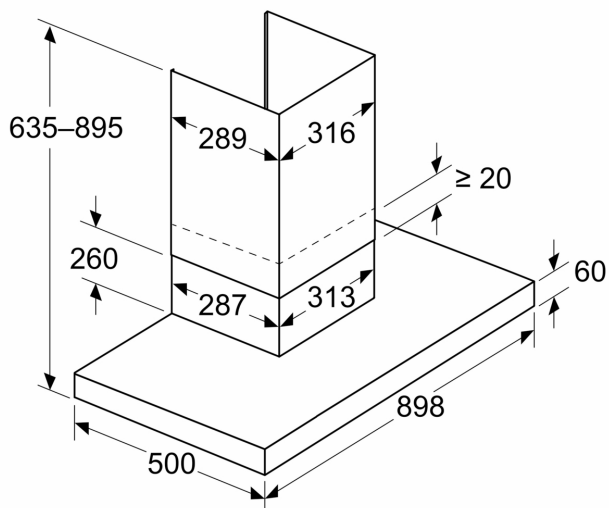
A: Exhaust air  
B: Electrical connection

Measurements in mm  
Wall installation with chimney

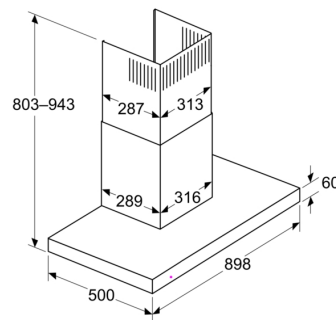


A: Electric  
B: Gas - from upper edge of pan support  
C: Electric - for Australia and New Zealand

Measurements in mm  
Appliance in exhaust air mode



Measurements in mm  
Recirculation perspective



Recirculation mode with recirculation kit (the recirculation kit is only available as a separate accessory)

Measurements in mm  
**Wall panel depth**

