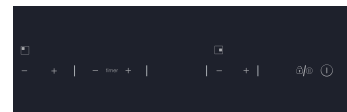
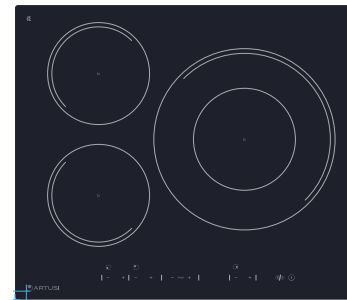
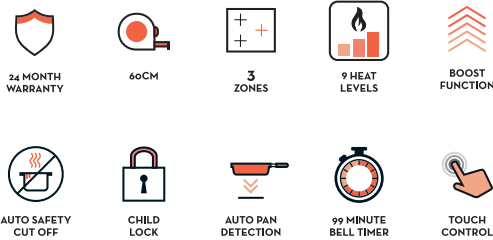


60cm Induction Cooktop

MODEL CAID636B



PRODUCT INFORMATION

FINISH

- Black Schott glass
- Black Aluminium alloy thin 4mm trim

FEATURES

- 9 heat levels
- Individual Timer up to 99 minutes
- Touch control
- Pan sensor

SAFETY

- Automatic safety cut-off
- Residual heat indicators
- Child lock

ZONES

- 3 induction zones with Boost
 - Front left zone: 1200/1500 Boost
 - Rear left zone: 2300/2600 boost
 - Right zone: 2300/3000 boost



EAN TBC

AR14092023

DISCLAIMER

Eurolinx PTY LTD, is continually seeking ways to improve the design specifications, aesthetics and production techniques of its products. As a result alterations to our products and designs take place continually. Whilst every effort is made to produce information and literature that is up to date, this brochure should not be regarded as an infallible guide to the current specifications, nor does it constitute an offer for the sale of any particular product. Product dimensions indicated in our literature is indicative only. Actual product only should be used to define dimension cut outs. Distributors, and retailers are not agents of Eurolinx and are not authorised to bind Eurolinx by any express or implied undertaking or representation.

FOLLOW US ON:  [/artusi_kitchen_laundry_outdoor](https://www.instagram.com/artusi_kitchen_laundry_outdoor)

Australia National Telephone Number 1300 MYILVE (694 583) New Zealand Telephone Number 0508 458 369
ILVE showrooms are open daily from 9am-5pm and Saturdays 10am-4pm

artusi.com.au

NSW & ACT (Head Office)
48-50 Moore Street
Leichhardt
F 02 8569 4699

Victoria
2r/131 Church Street
Hawthorn

QLD
Contact Head Office

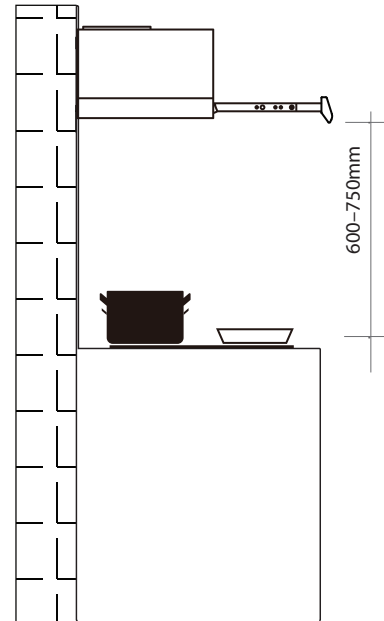
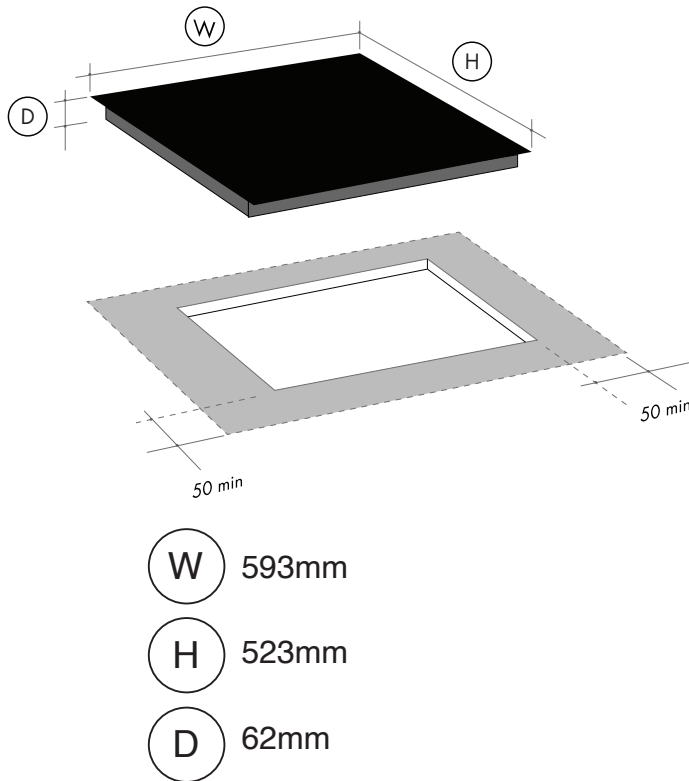
WA & NT
Unit 10/55 Howe Street
Osborne Park

New Zealand
PO Box 11,160
Sockburn Christchurch

60cm Induction Cooktop

MODEL CAID636B

TECHNICAL DIAGRAM



NB: drawings are not to scale — they are to be used for detailed installation instructions, please refer to user guide.

EAN TBC

AR14092023

Technical Information

CAID636B Built-in Cooktop

Size 593*523*62

CUTOUT: 560x490

Electrical Connection: Hard Wired, 220-240V, 110mm lead supplied

Phase single or double

Total power: 6500W

DISCLAIMER

Eurolinx PTY LTD, is continually seeking ways to improve the design specifications, aesthetics and production techniques of its products. As a result alterations to our products and designs take place continually. Whilst every effort is made to produce information and literature that is up to date, this brochure should not be regarded as an infallible guide to the current specifications, nor does it constitute an offer for the sale of any particular product. Product dimensions indicated in our literature is indicative only. Actual product only should be used to define dimension cut outs. Distributors, and retailers are not agents of Eurolinx and are not authorised to bind Eurolinx by any express or implied undertaking or representation.

FOLLOW US ON:  [/artusi_kitchen_laundry_outdoor](https://www.instagram.com/artusi_kitchen_laundry_outdoor)

Australia National Telephone Number 1300 MYILVE (694 583) New Zealand Telephone Number 0508 458 369
ILVE showrooms are open daily from 9am-5pm and Saturdays 10am-4pm

[artusi.com.au](https://www.artusi.com.au)

NSW & ACT (Head Office)
48-50 Moore Street
Leichhardt
F 02 8569 4699

Victoria
2r/131 Church Street
Hawthorn

QLD
Contact Head Office

WA & NT
Unit 10/55 Howe Street
Osborne Park

New Zealand
PO Box 11.160
Sockburn Christchurch