

60cm stainless steel built-under dishwasher with 7 programs, ProZone, extra tall XXL tub and ProClean™ satellite spray arm to deliver a perfect wash result, regardless of your load.



Product Details

FEATURES

ProZone adapts to each item
Ideal for washing mixed loads in one go where you can load the lower basket with heavily soiled pots and pans, and place delicate glassware in the top basket.

Extra tall tub for large items
With an XXL tall tub, you'll find an extra 4cm of internal height to load larger and unconventional shaped items.

Satellite Spray Arm
Comprehensive cleaning, leaving no corner untouched.

Removable cutlery drawer

XtraDry

AirDry
AirDry uses natural airflow for better drying.

15 place setting

Extra Hygiene

TimeSaver
To decrease selected wash program duration by approximately 50%, without sacrificing the wash result.

Extra silent program

Quick 30 minutes 60 C program

FlexiLift basket
Adjusting the upper basket position is easy, even when fully loaded.

AutoOff

LightBeam-on-floor

My Favourite

Aqua Control

BENEFITS

A perfect wash
The ProClean™ powerful, double rotating satellite spray arm, with 5 spray levels, ensures maximum water coverage over your entire load for a perfect wash result.

ProZone adapts to each item
Ideal for washing mixed loads in one go where you can load the lower basket with heavily soiled pots and pans, and place delicate glassware in the top basket.

Auto program with Sensorlogic
This advanced function uses multiple sensors to measure the size and soil level of dishes and gives the best possible wash performance ensuring efficient time, water and electricity consumption.

Extra tall tub for large items
With an XXL tall tub, you'll find an extra 4cm of internal height to load larger and unconventional shaped items.

Beam on the floor

A two coloured beam is projected onto the floor to provide an indication of the wash cycles progress. Red indicating the dishwasher is running, and green when it is ready to unload.

Specifications

PRODUCT PROFILE

Domestic warranty details (yrs)	5
Type of Dishwashers	built under
Design family (eline)	AEG Mastery
Place settings	15
Drying system	AirDry
Number of spray arms	3
Top shower	No

DIMENSIONS

Total height (mm)	818
Total width (mm)	596

SPECIFICATION

Water Efficiency Star Rating	4.5
Water consumption (litres)	13.4
Energy Efficiency Star Rating	3.5
Energy consumption cold water (kWhr/yr)	286
Noise level dBA	45
Water supply	cold
Basket colour	grey
Service cord length	1600
Inverter system	Yes

WASH PROGRAMS

Number of Programs	7
--------------------	---

DIMENSIONS

Total depth (mm)	570
Height adjustment (mm)	60
Cabinet requirement excluding worktop (height)	820-880
Cabinet requirement excluding worktop(width)	600
Cabinet requirement excluding worktop (depth)	570

CONTROL PANEL

Control panel type	Push button electronic,LED Display
Top mounted control panel	Yes
Control panel finish	stainless steel
Display indicators	service code,program selected,delay start,ExtraHygiene,rinse aid,fault display,TimeSaver,end ,XtraDry,My Favourite

EXTERIOR

WASH PROGRAMS

Programs	Auto 45-70,Extra Silent,30 minute 60°,Eco 50°C,GlassCare 45°C,rinse and hold,Intensive 70°C
Wash option	TimeSaver,Delay start (1-24 hours),XtraDry,ExtraHygiene,My Favourite
Range of temperatures	4

FEATURES

Other Features	load sensing,delay start,Auto Off,LightBeam-on-floor,Soil Level Sensor
Water safety system	anti-flood protection,aqua control
Filter system	3 stage
Dispenser	detergent,rinse aid
Number of spray levels	5

UPPER BASKET

EXTERIOR

Door finish	mark resistant stainless steel
Side colour	grey
Plinth colour (kickboard)	no plinth supplied
Removable worktop	No

LOWER BASKET

Foldable Racks	2
----------------	---

SHIPPING

Shipping Volume (m3)	0.389
Shipping Weight (Kg)	47.7
Pack Dimensions Height (mm)	900
Pack Dimension Width (mm)	635

UPPER BASKET

Upper basket features	height adjustable on full load,soft spikes for tall glass,Cutlery Tray,SoftGrip
Foldable cup shelves	4
Foldable Racks	2

HOSES

Inlet hose length	1800
Drain hose length	1800
extension hose	spare part

STUFFING QUANTITIES

20ft	54
40ft	108
40ft HC	150

SHIPPING

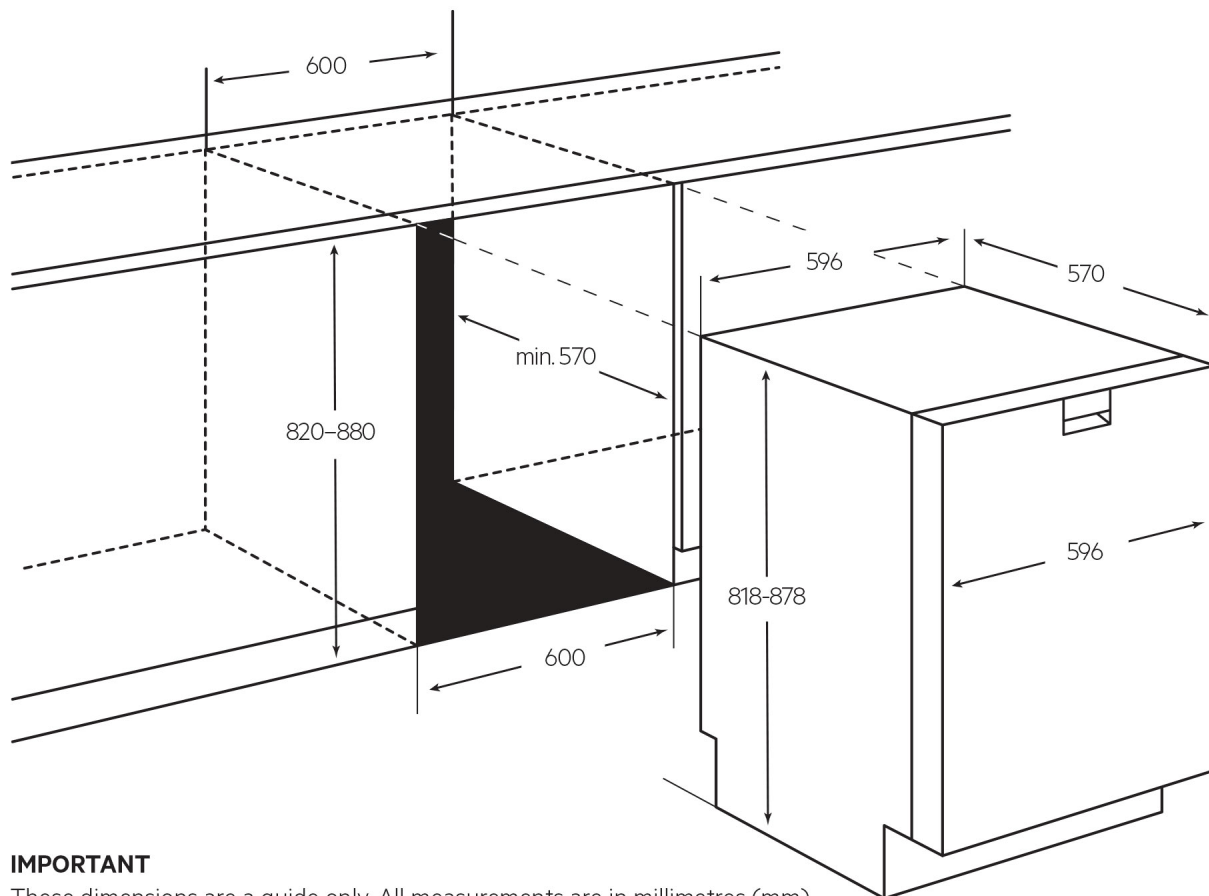
Pack Dimension Depth (mm)	680
------------------------------	-----

Dimensions

Built-under dishwasher

FFE83800PM | FFE72800PM

FFE72730PM | FFE72730PW



IMPORTANT

These dimensions are a guide only. All measurements are in millimetres (mm). For complete installation instructions, refer to the manual provided with product.

Terms and Conditions

IMPORTANT

This is a guide of product dimensions only. For complete installation instructions, refer to the manual provided with product.

PRODUCT INFORMATION

The descriptors and illustrations in this publication apply to the specific products and models described as at the date of issue. Under our policy of continuous product development, product specifications may change without notice. Prospective purchasers should therefore check with their retailer to ensure this publication correctly describes the products that are being offered for sale. All information supplied is to be used for general reference purposes only and is on the understanding that Electrolux Home Products Pty Ltd (Australia) and Electrolux (NZ) Ltd (New Zealand) will not be liable for any loss, liability or damage of whatever kind arising as a result of reliance on such information. Colours of products illustrated are as close as printing limitations allow. Electrolux will at all times comply with its obligations pursuant to law including Trade Practices (Australian Consumer Law) Act and Regulations.

WARRANTY

Electrolux Home Products warrants that for domestic applications the AEG appliances featured are free from defects in materials and workmanship for 5 years (3 months warranty for commercial applications). All warranties are subject to the conditions set out in the warranty card accompanying the product when purchased.

ELECTROLUX HOME PRODUCTS AUSTRALIA

telephone: 1300 363 664

fax: 1800 350 067

email: customercare@aegaustralia.com.au

web: www.aeg.com/au

ELECTROLUX HOME PRODUCTS NEW ZEALAND

telephone: 0800 10 66 10

fax: 09 573 2221

email: customercare@electrolux.co.nz

web: www.aeg.com/au