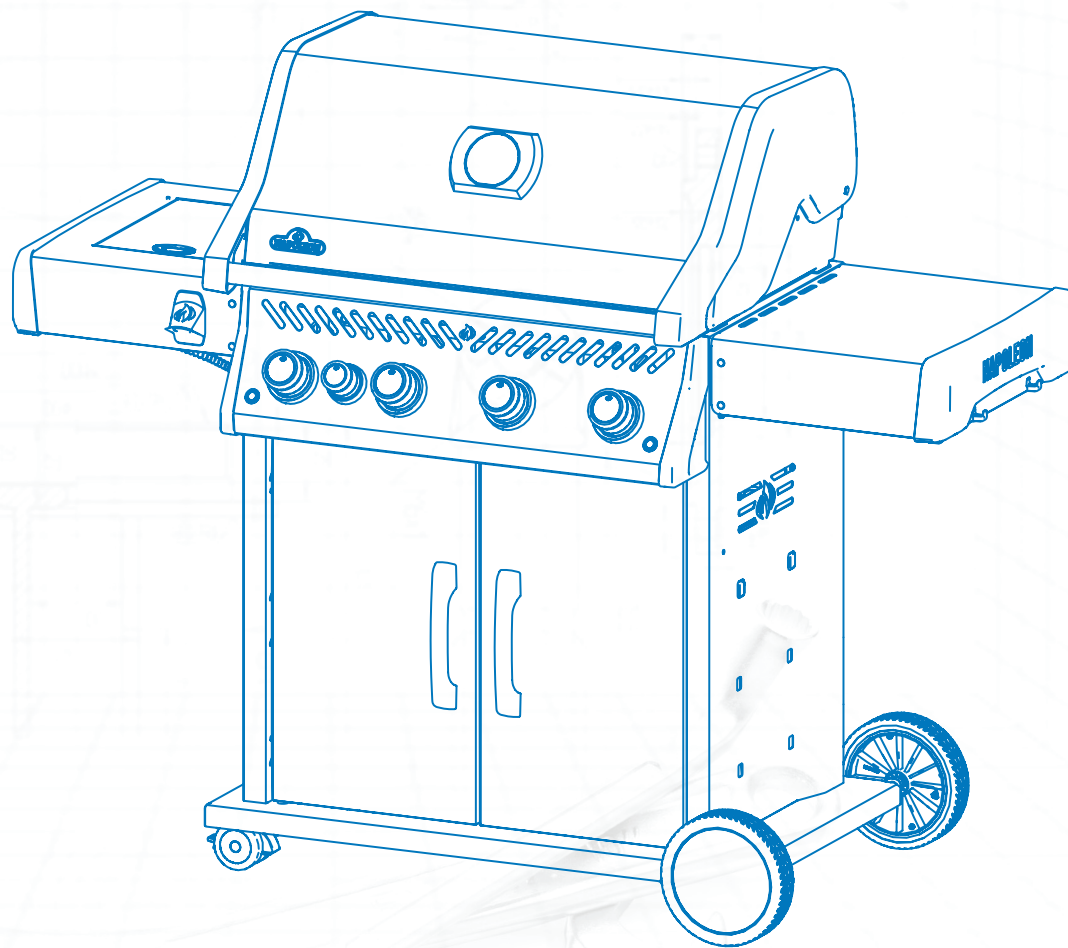


# ROGUE® PRO

## Assembly Guide



### Models

RP425-2 | RP525-2 | RP625-2

Actual product may differ from illustrations.





# WELCOME TO NAPOLEON!



Congratulations on taking your grilling to the next level.  
Welcome to the **NAPOLEON** family!

## Ready to assemble your new grill?



### IMPORTANT!

- Remove all parts from packaging before assembling the barbeque.
- Set up this assembly on a solid, level and horizontal surface.



### Register your grill today.

We're here to accompany you through unforgettable moments.

## Assembly Guidelines

### Safety requirements



### Tools requirements for installation (not included)



## Legend



Warning!



Important Information!



Lock



Propane Gas Only



Strike with a rubber mallet



Unlock



Natural Gas Only



Rotate the Unit



Drill



Look closely



Infered Side Burner (SIB) Only



Flame Side Burner (SB) Only

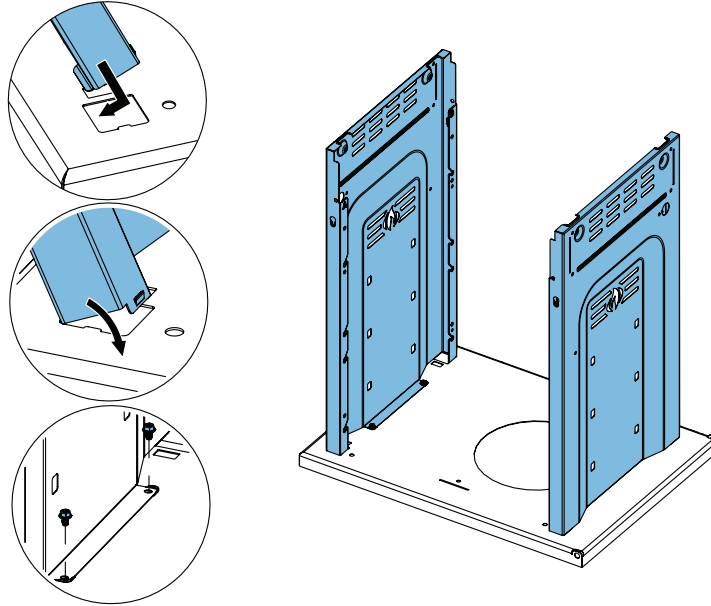


Positioning

# ASSEMBLY STEPS

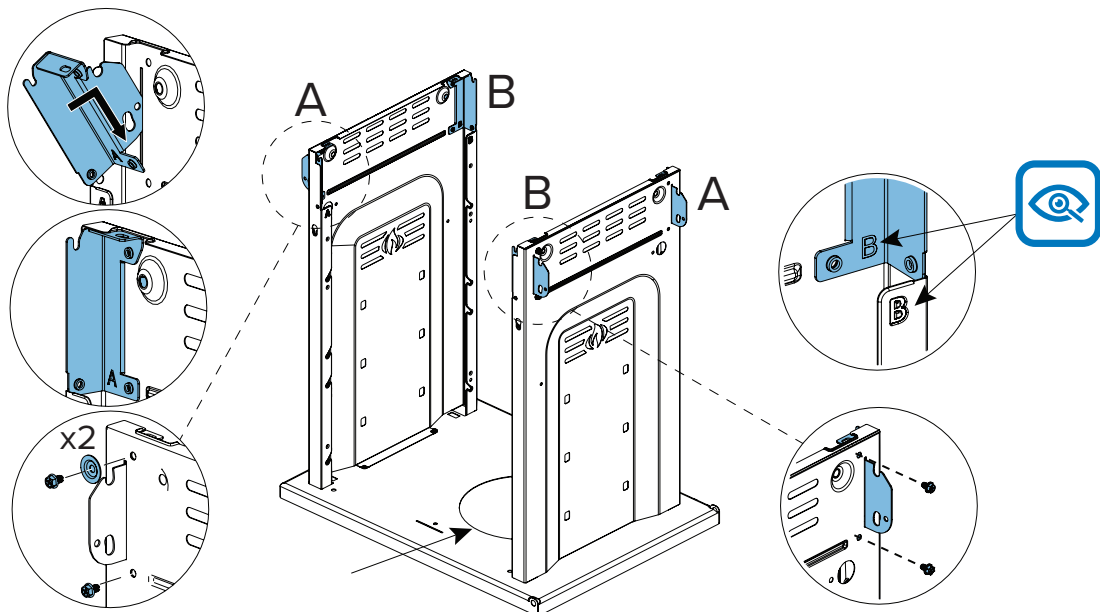
1

 x4



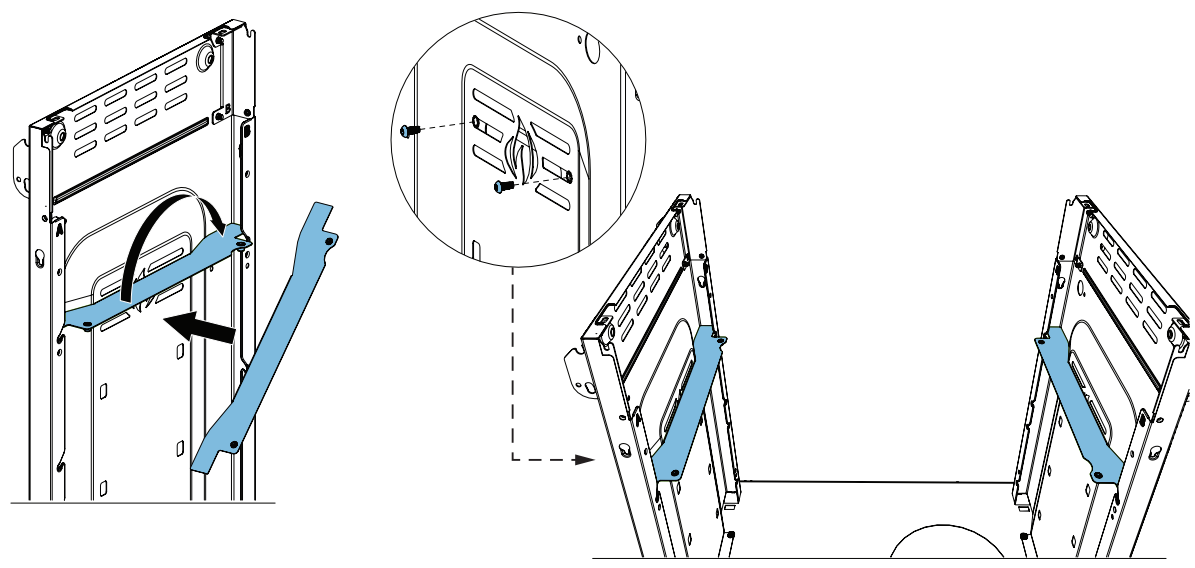
2

 x8



3

 x4

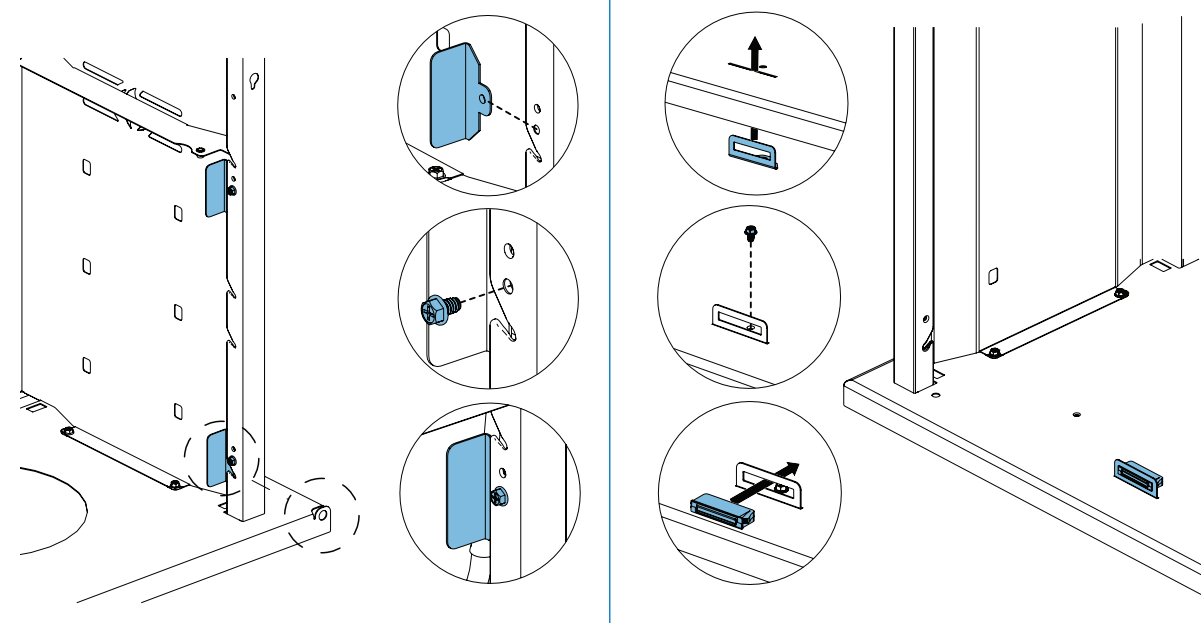


4

 x2

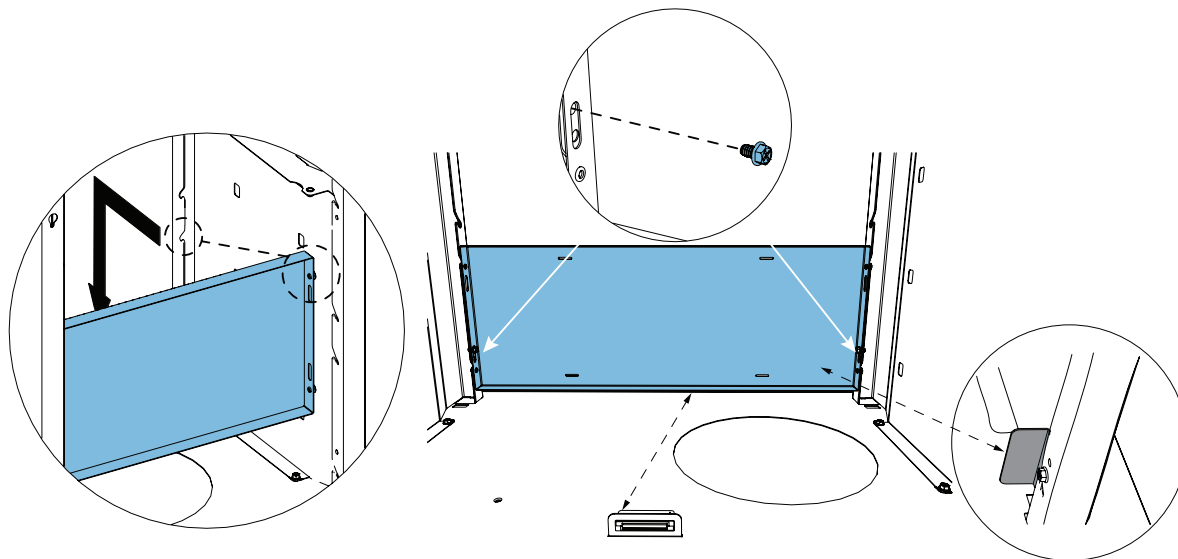


 x1



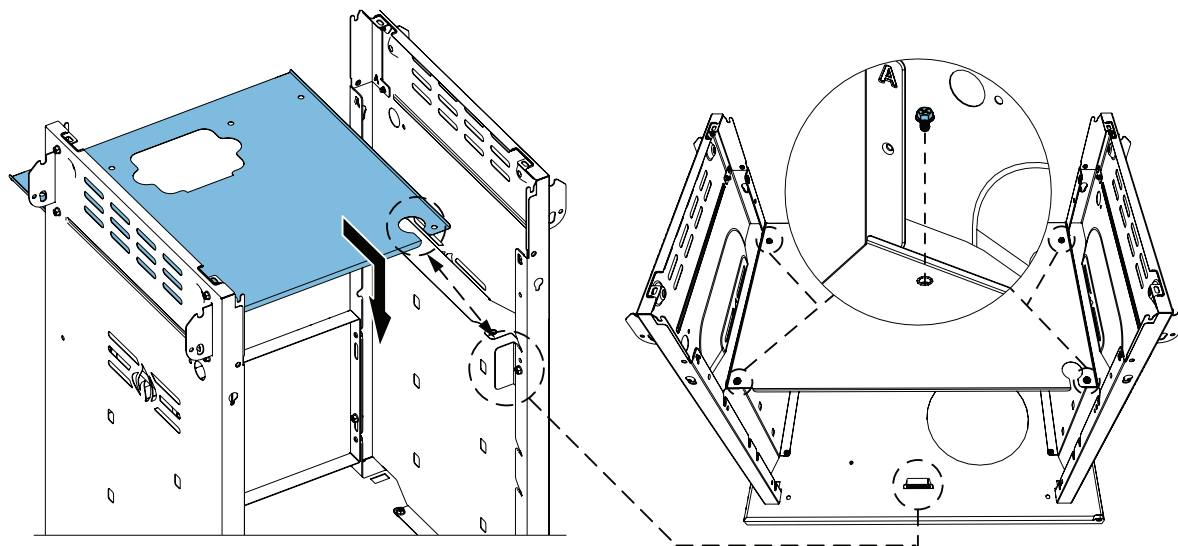
5

 x2



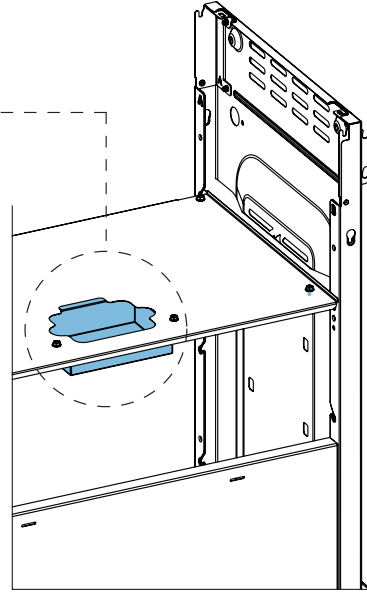
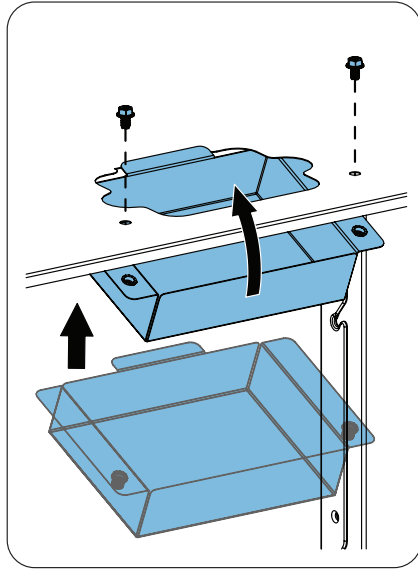
6

 x4



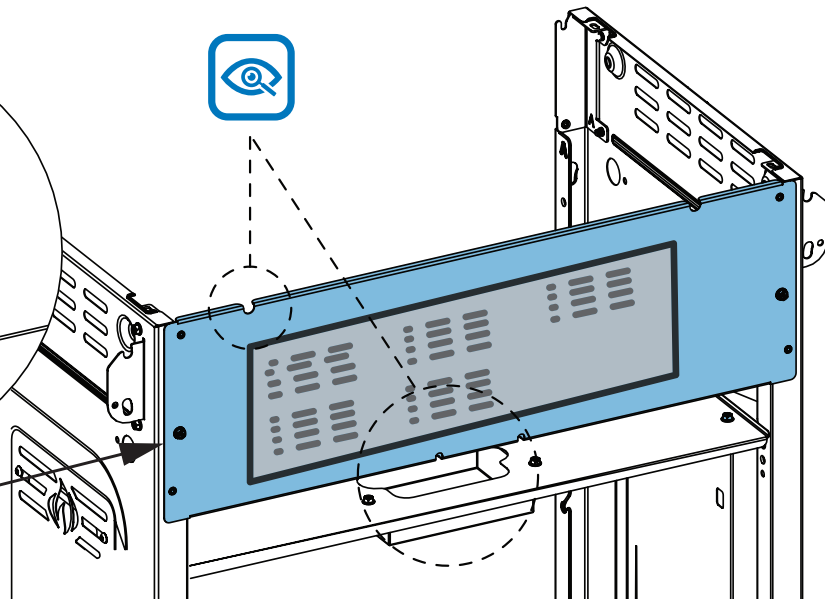
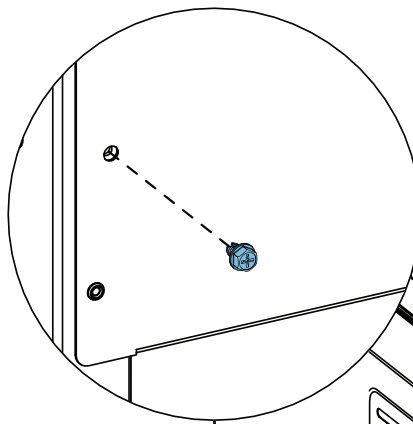
7

 x2



8

 x2



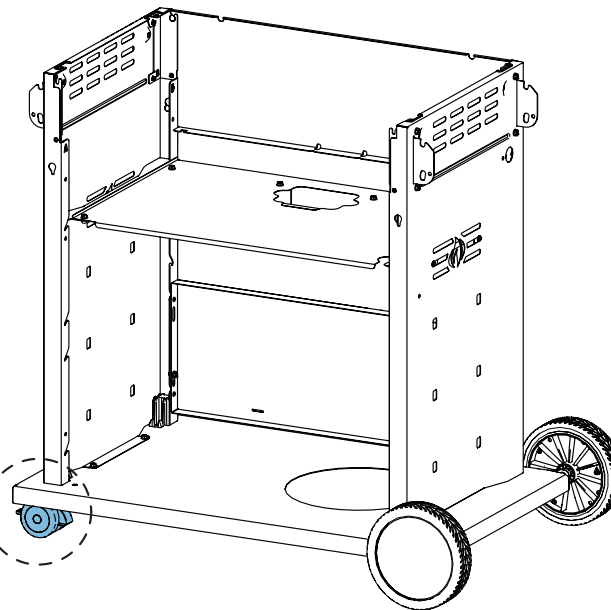
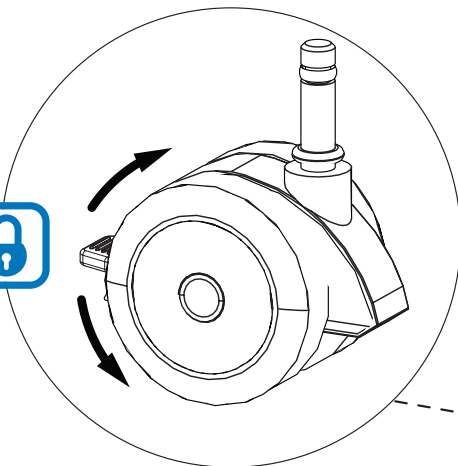




11



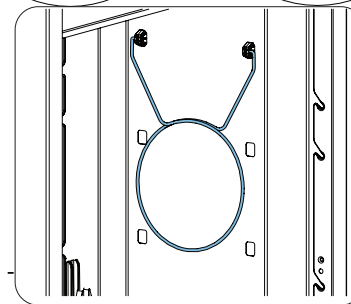
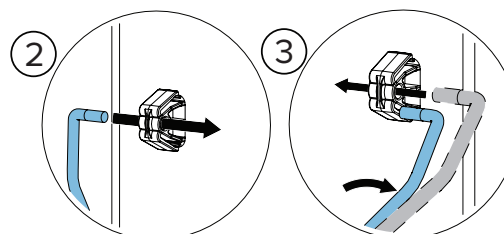
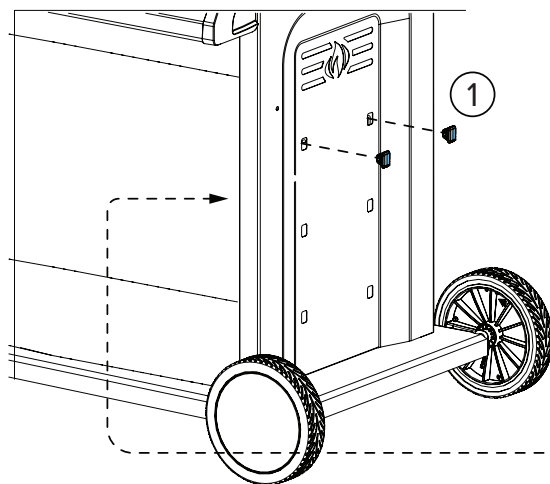
x4



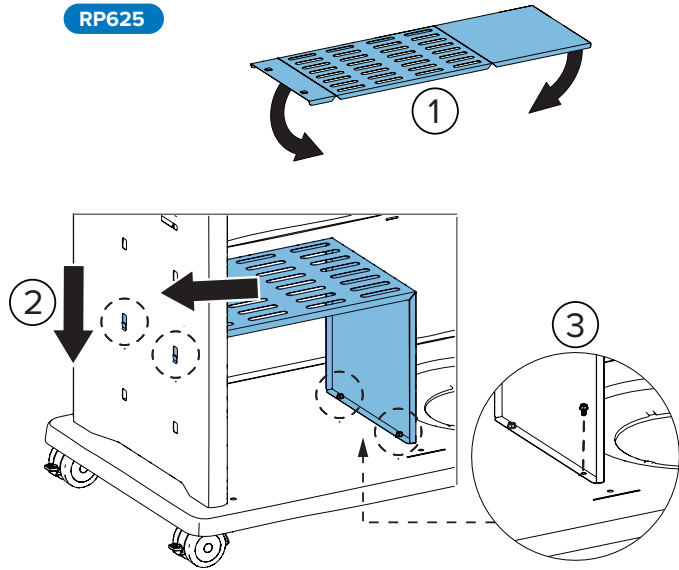
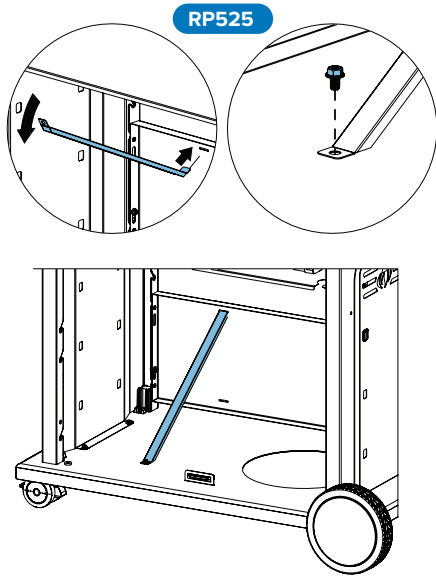
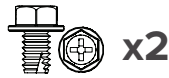
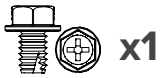
12



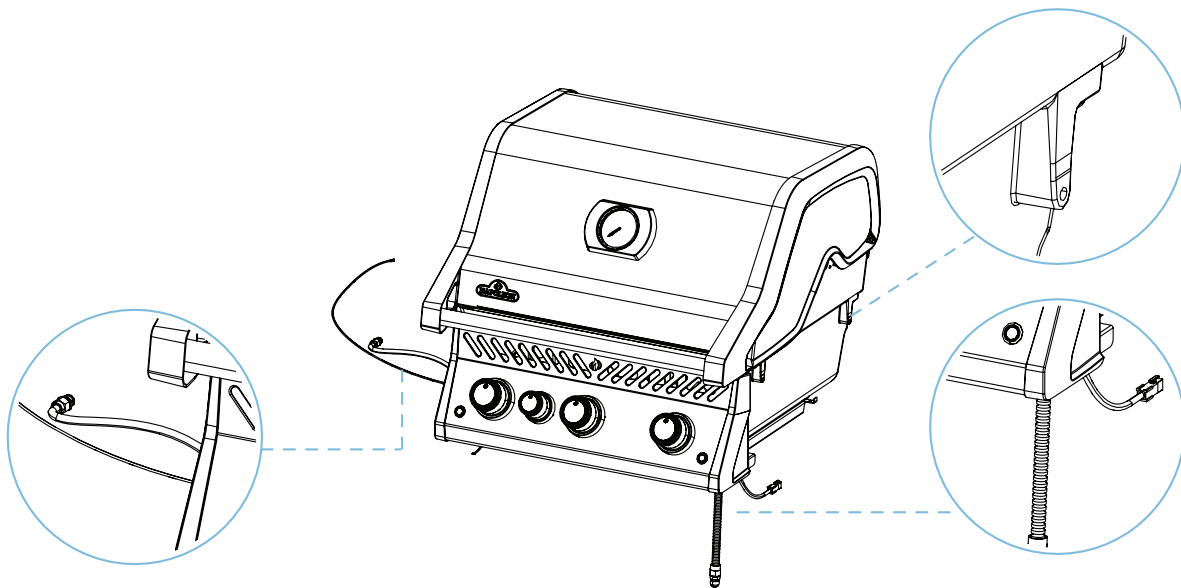
x2



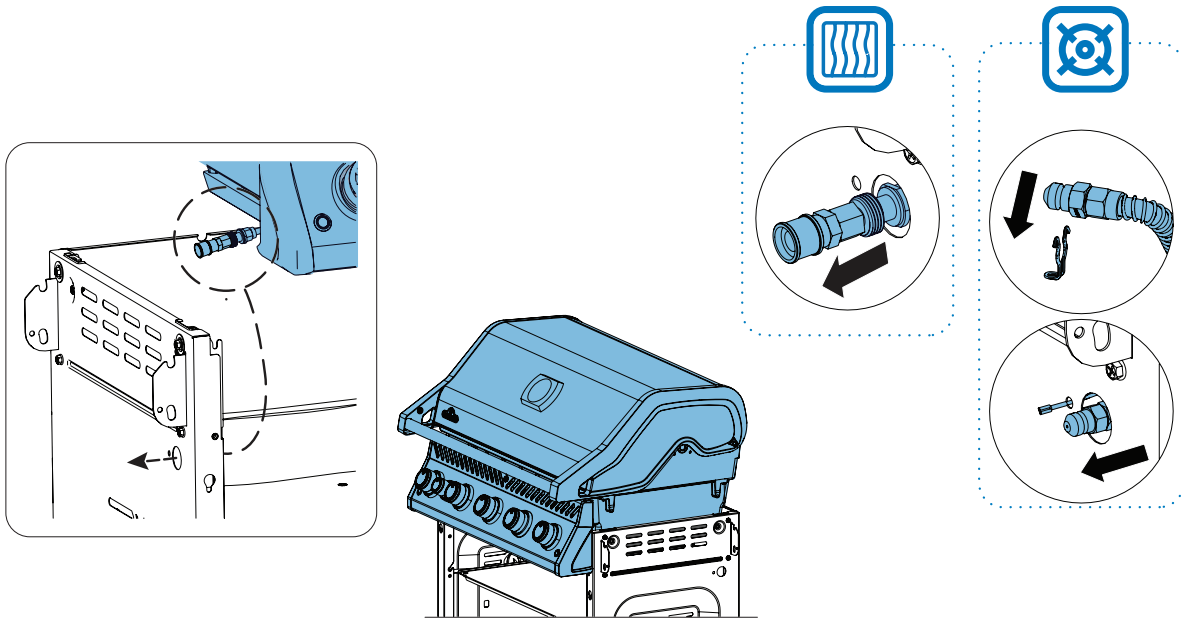
13



14

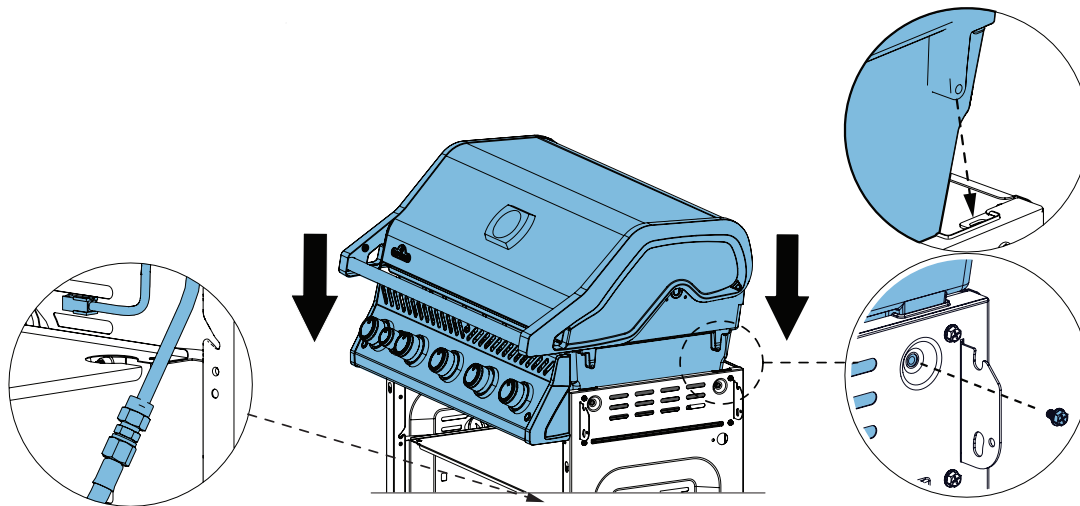


15

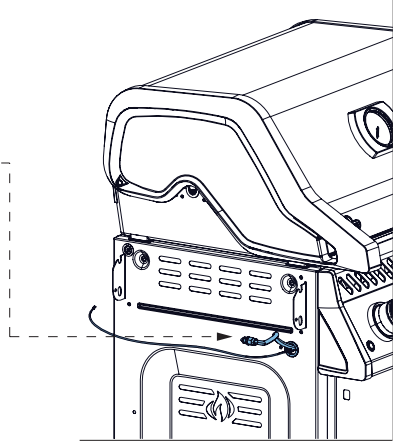
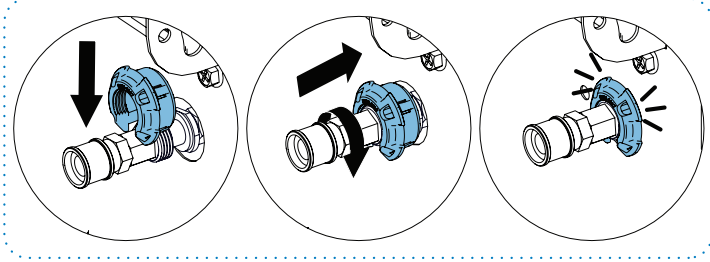
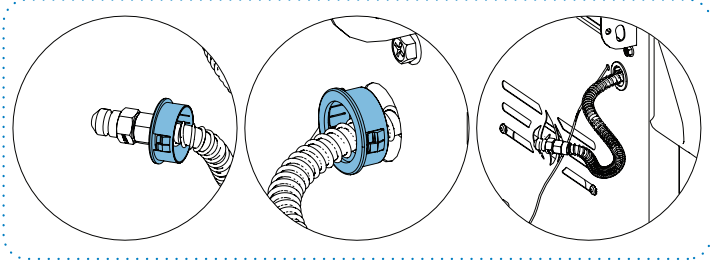


16

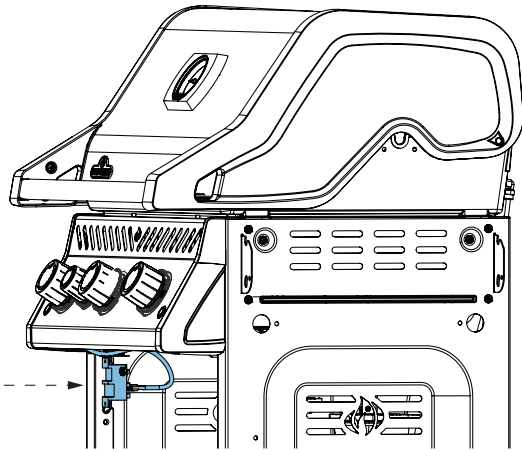
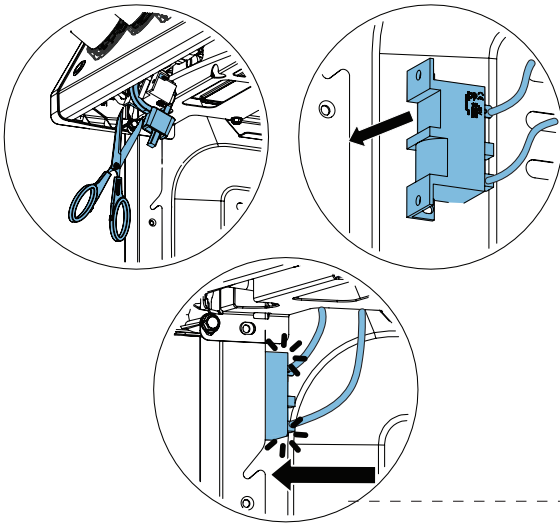
 x4



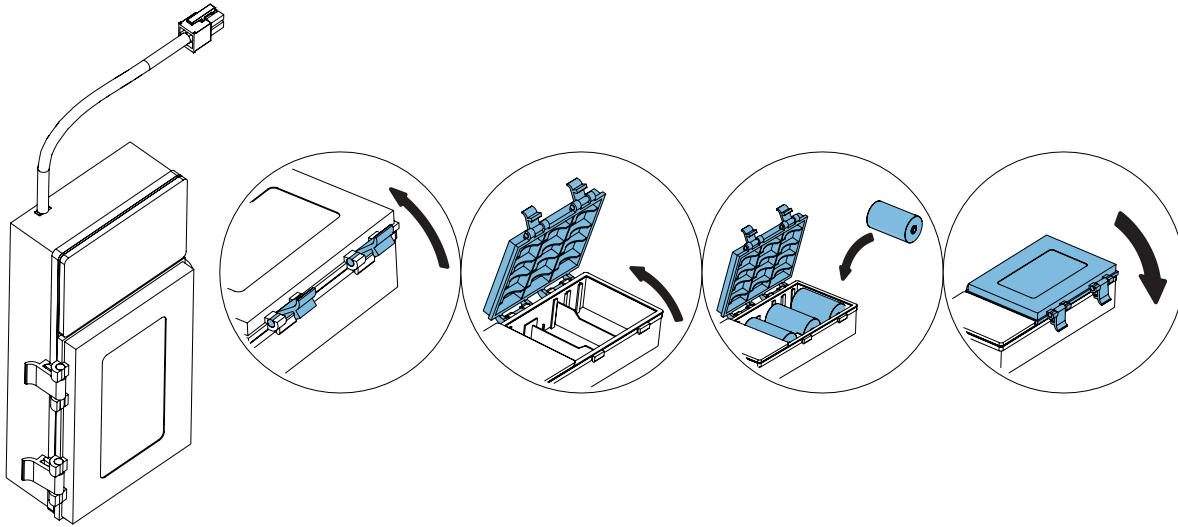
17



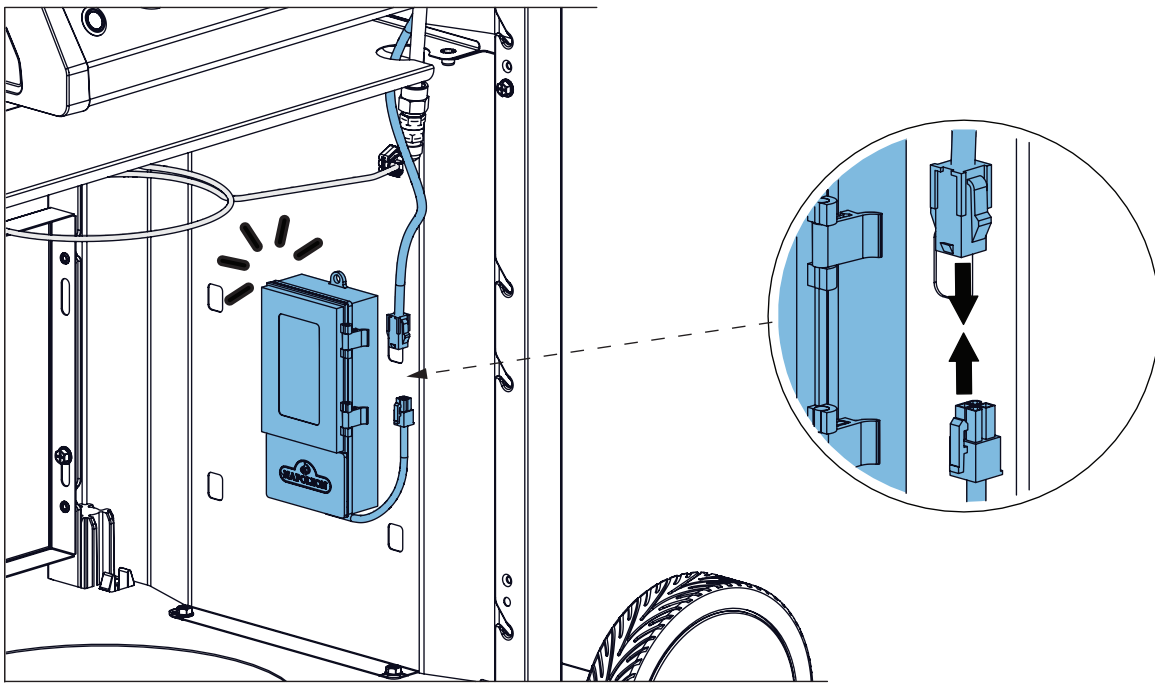
18



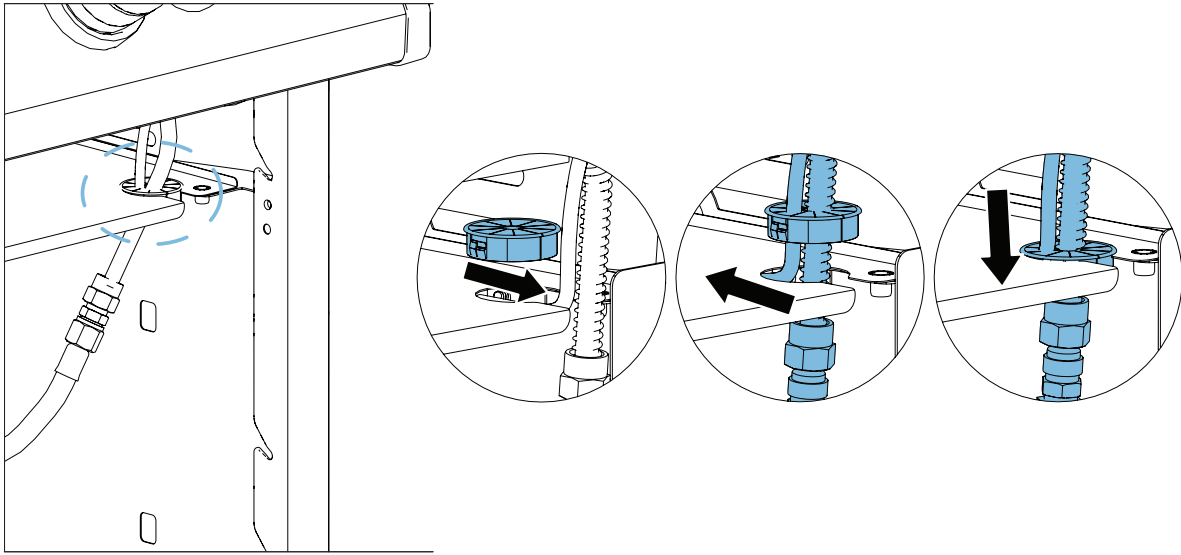
19



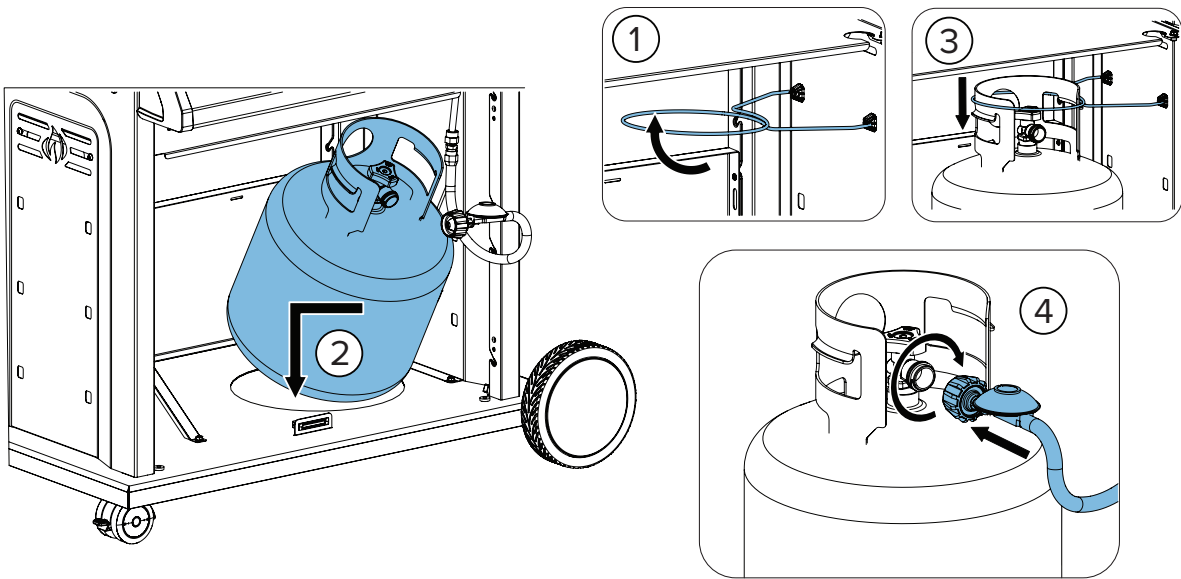
20



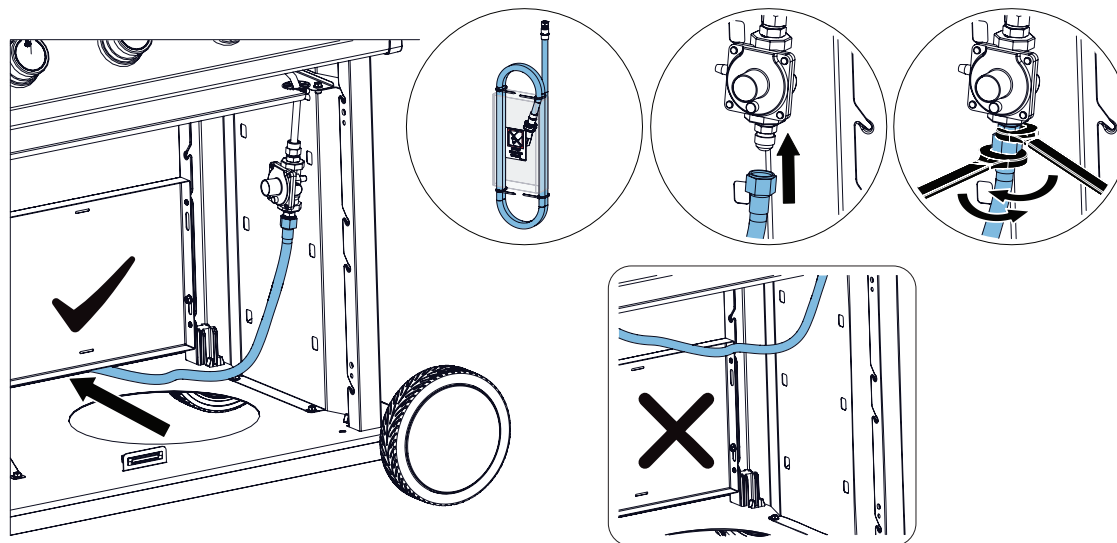
21



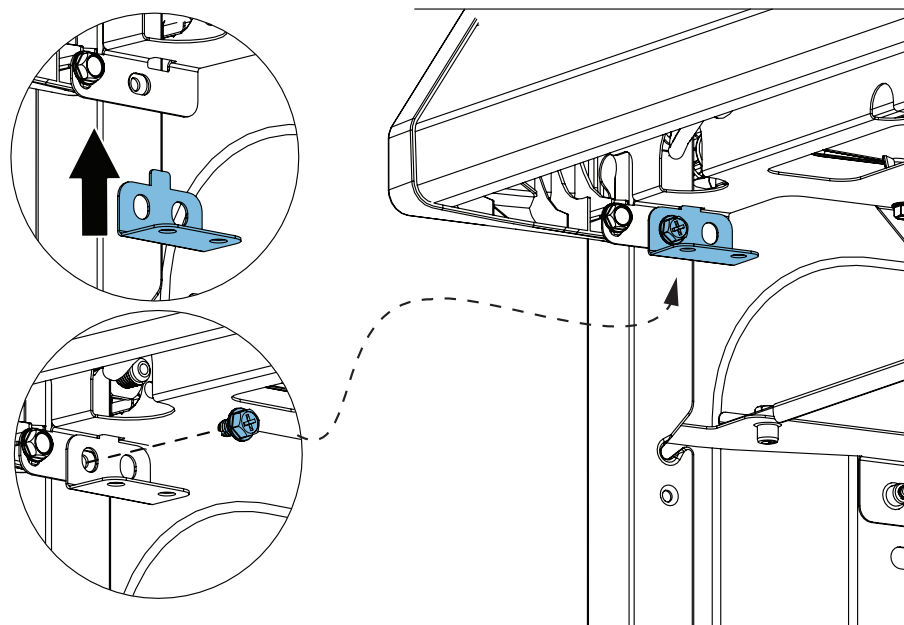
22



23



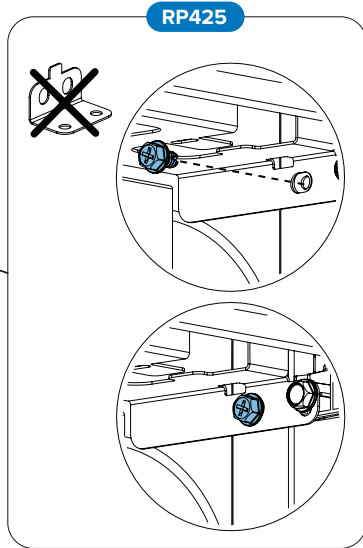
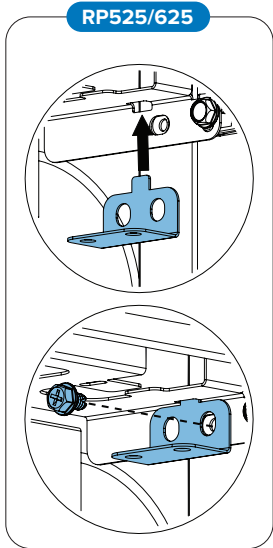
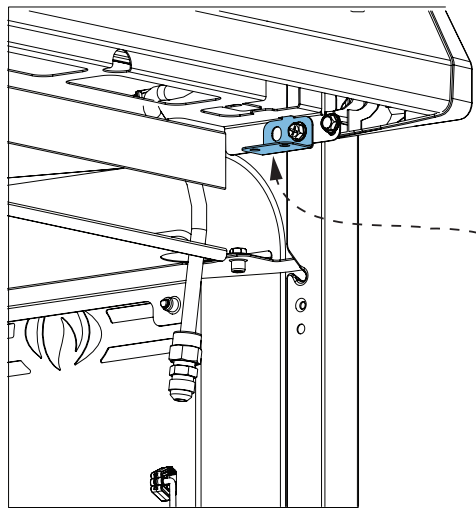
24



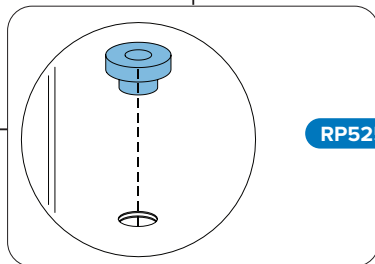
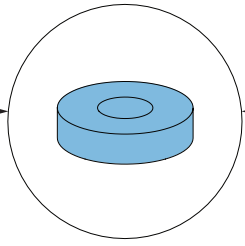
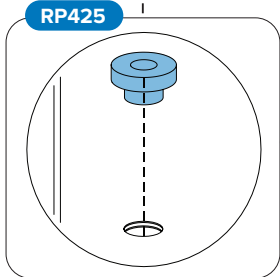
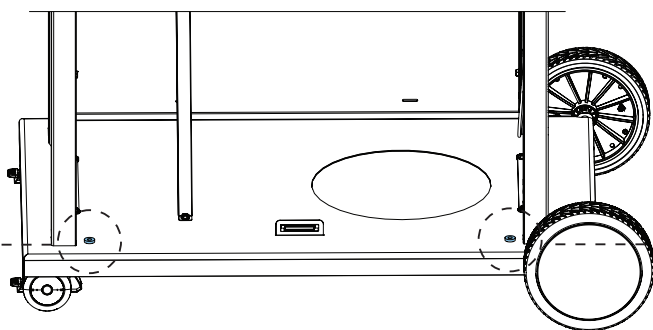




25

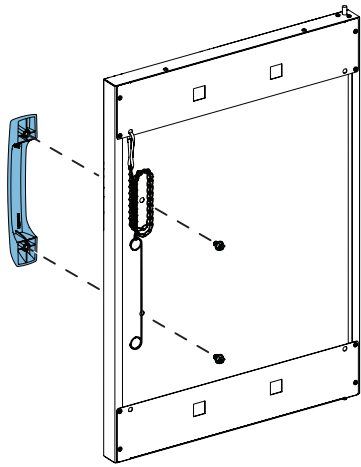


26

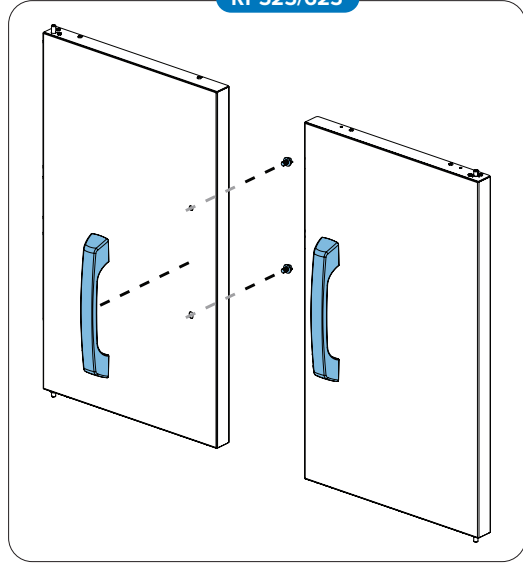


27

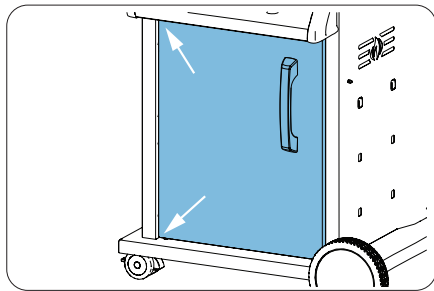
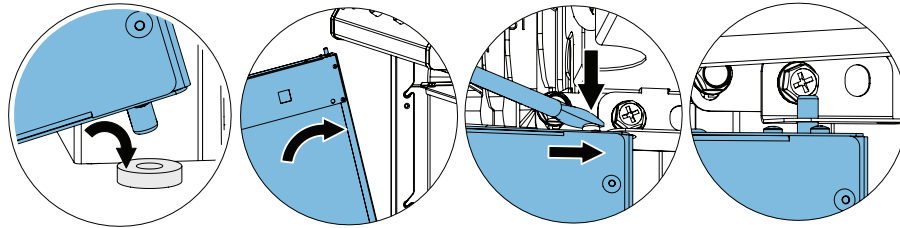
 x2/4



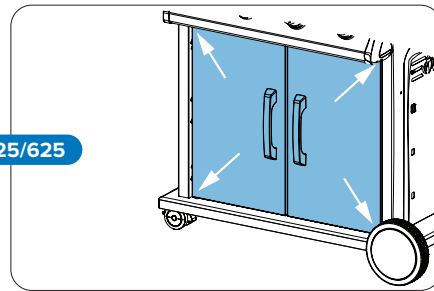
RP525/625



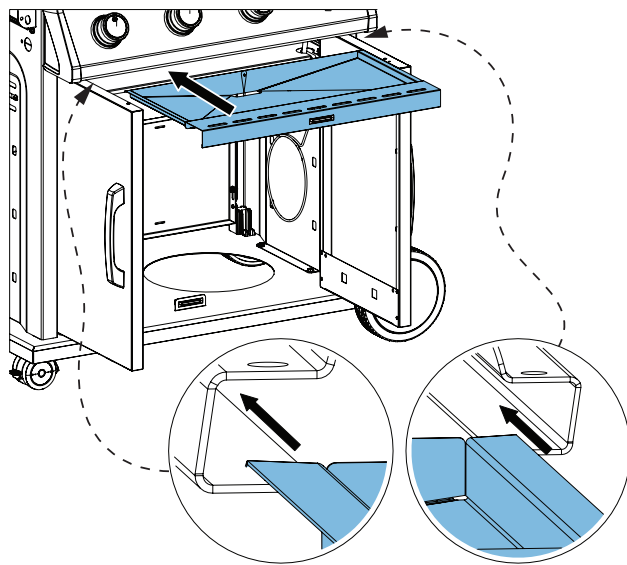
28



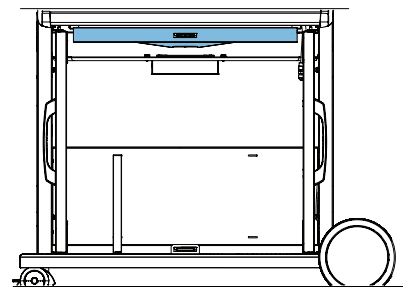
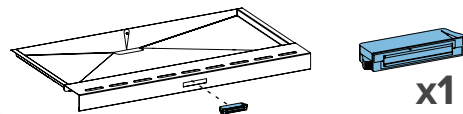
RP525/625



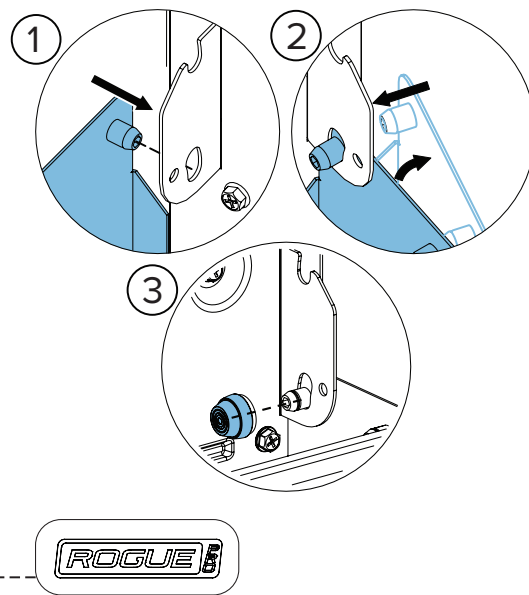
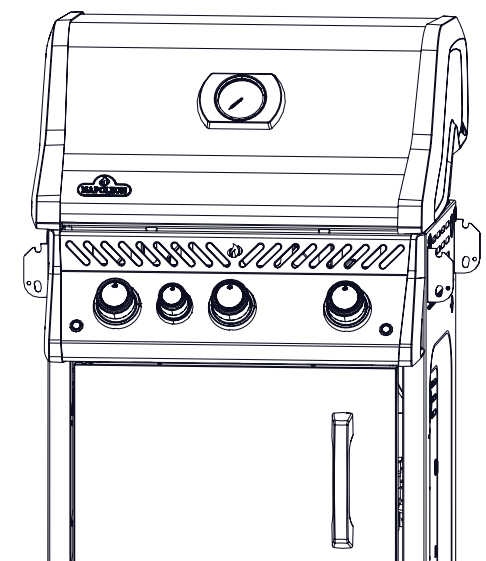
29



RP525/625

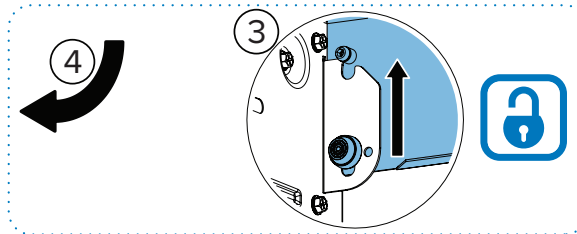
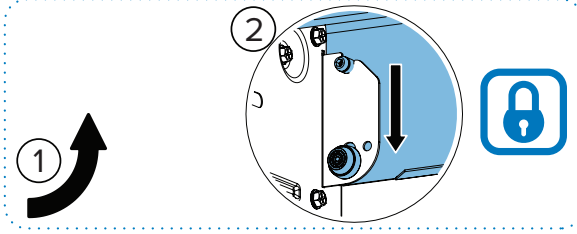
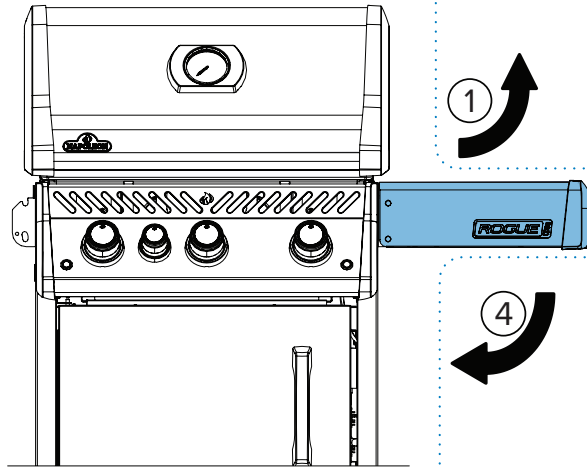


30

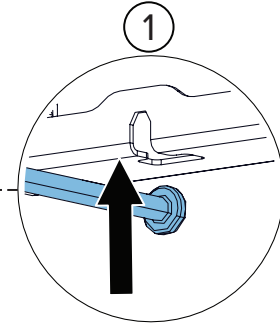
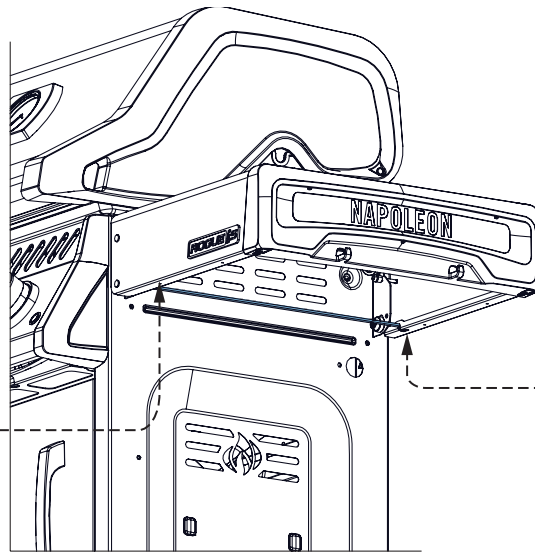
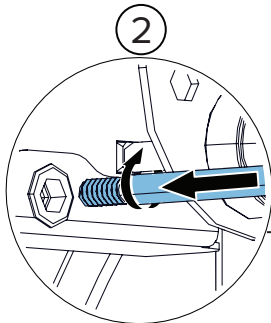


31

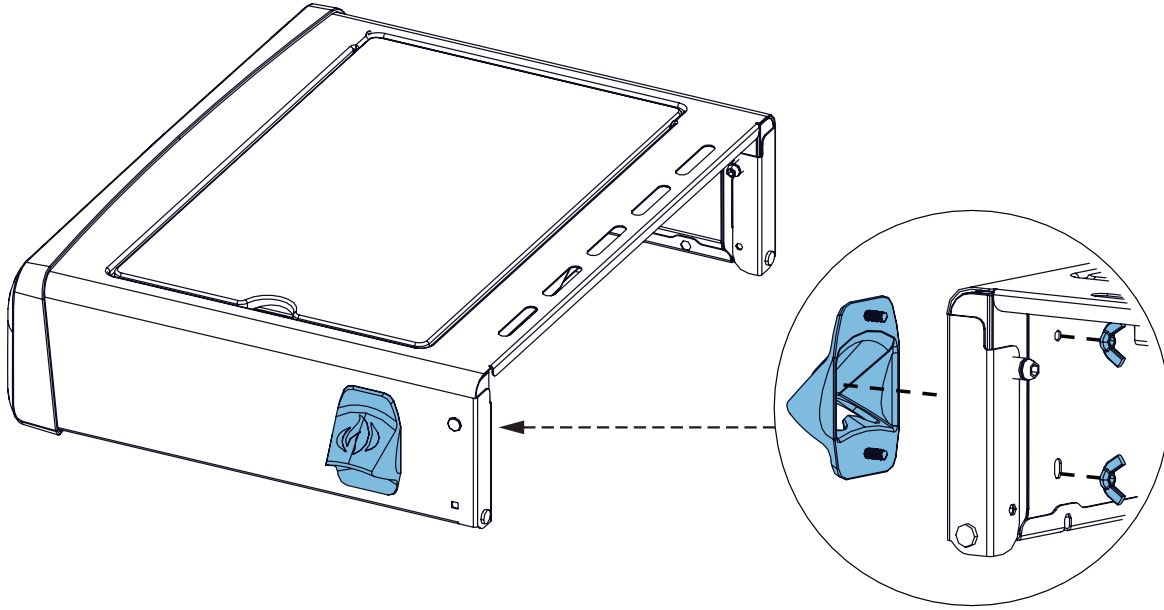
 x2/4



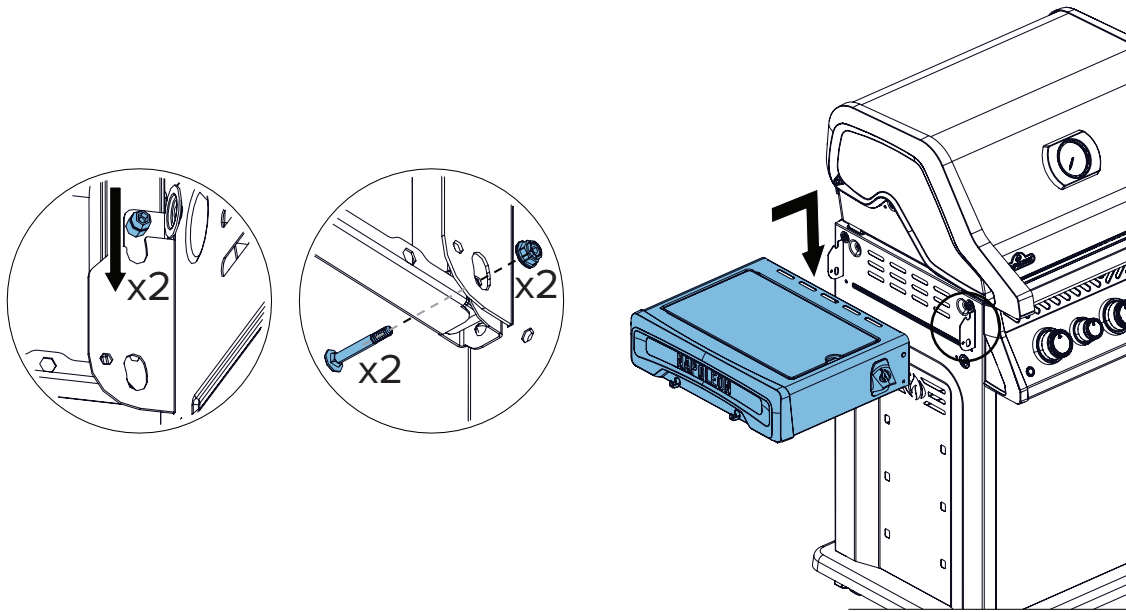
32



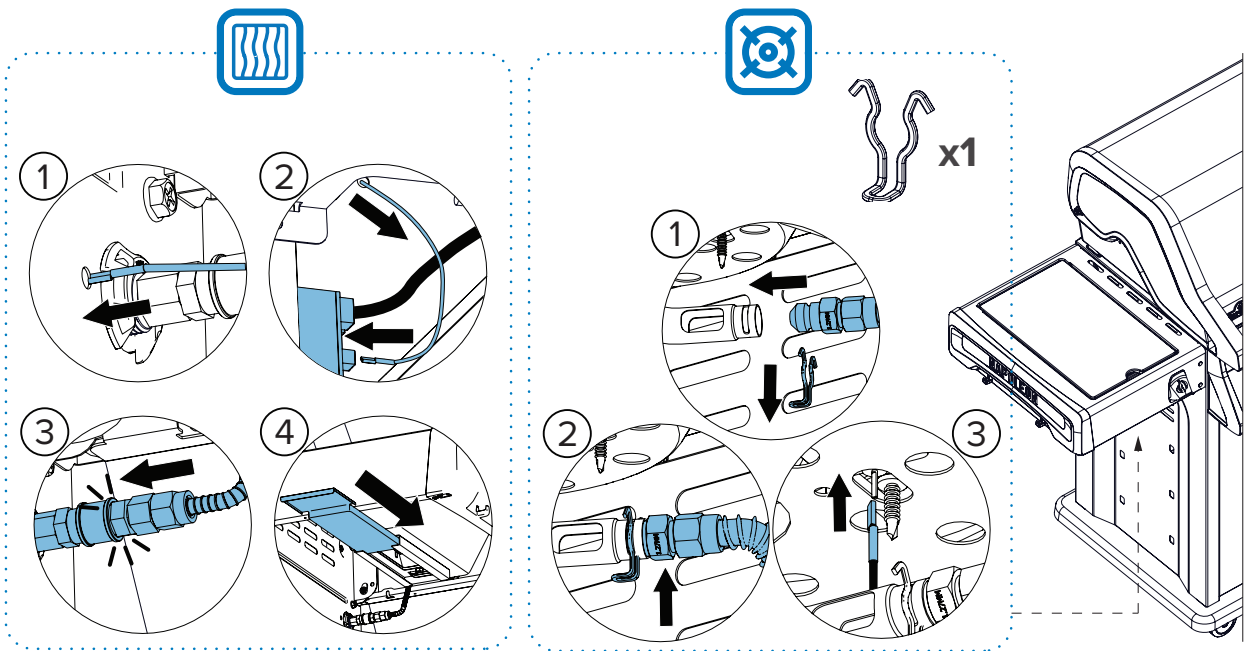
33



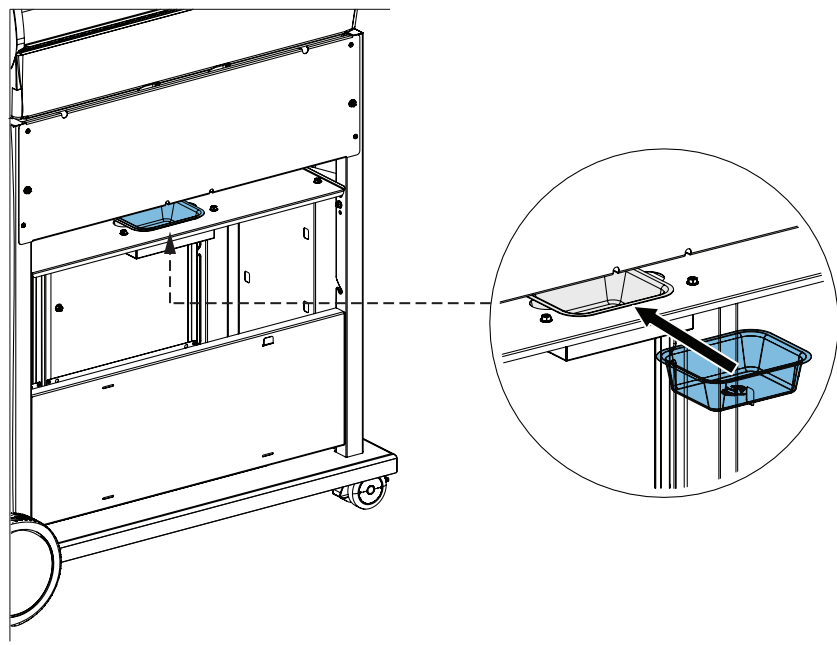
34



35

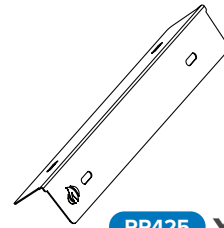
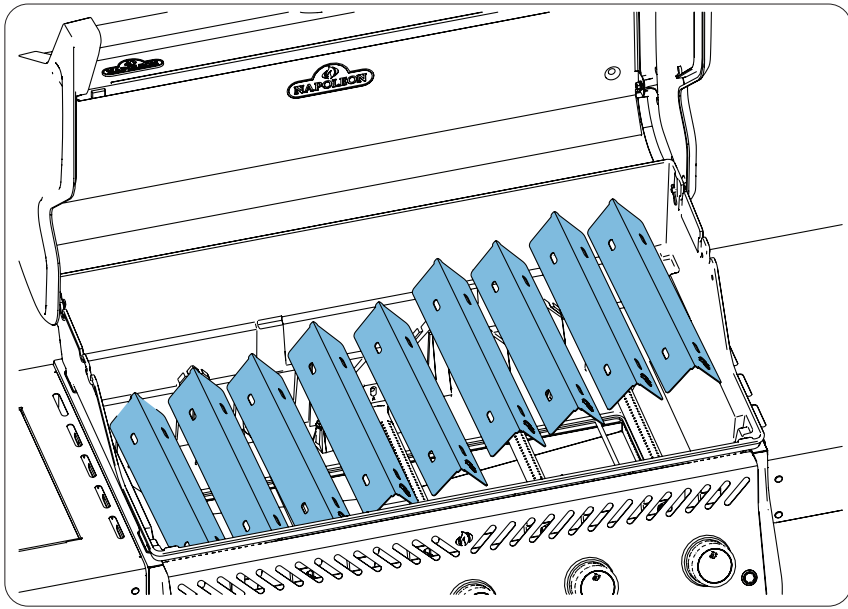


36





37

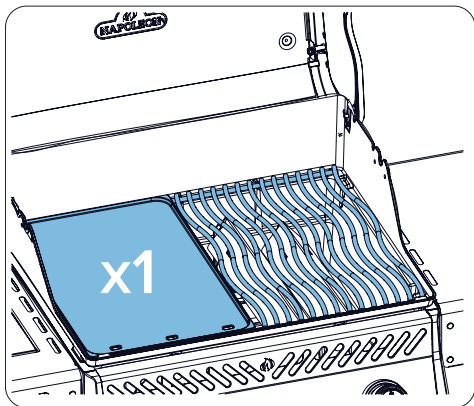


RP425 x5

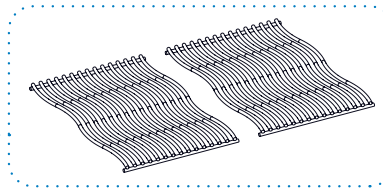
RP525 x7

RP625 x9

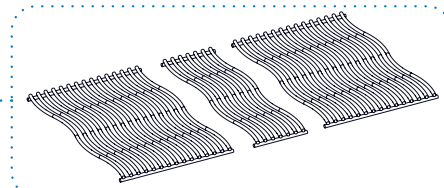
38



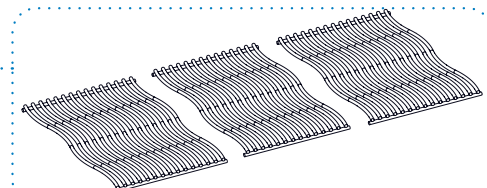
RP425



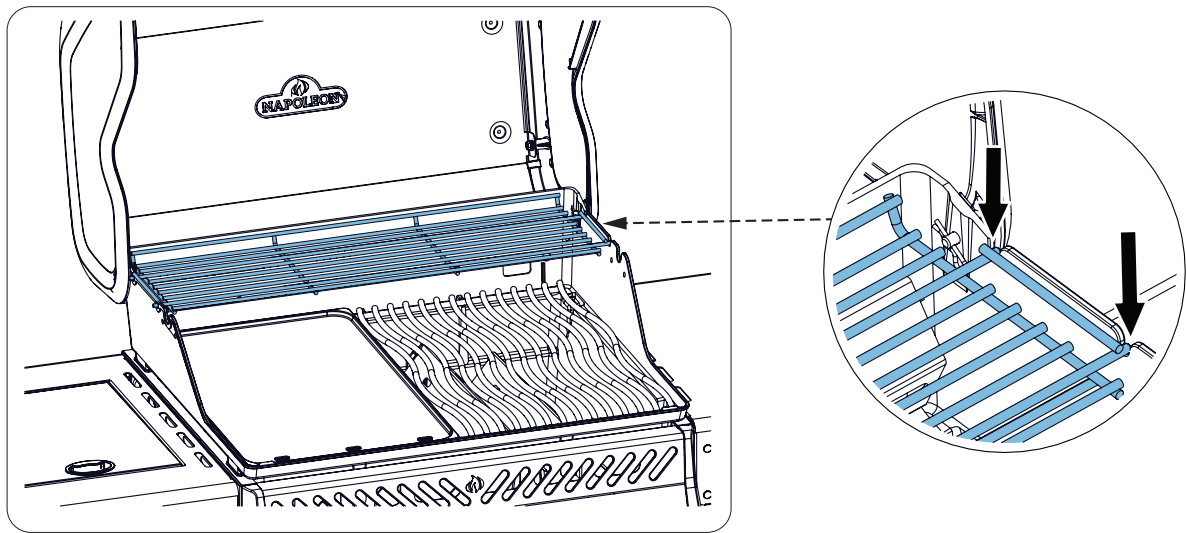
RP525



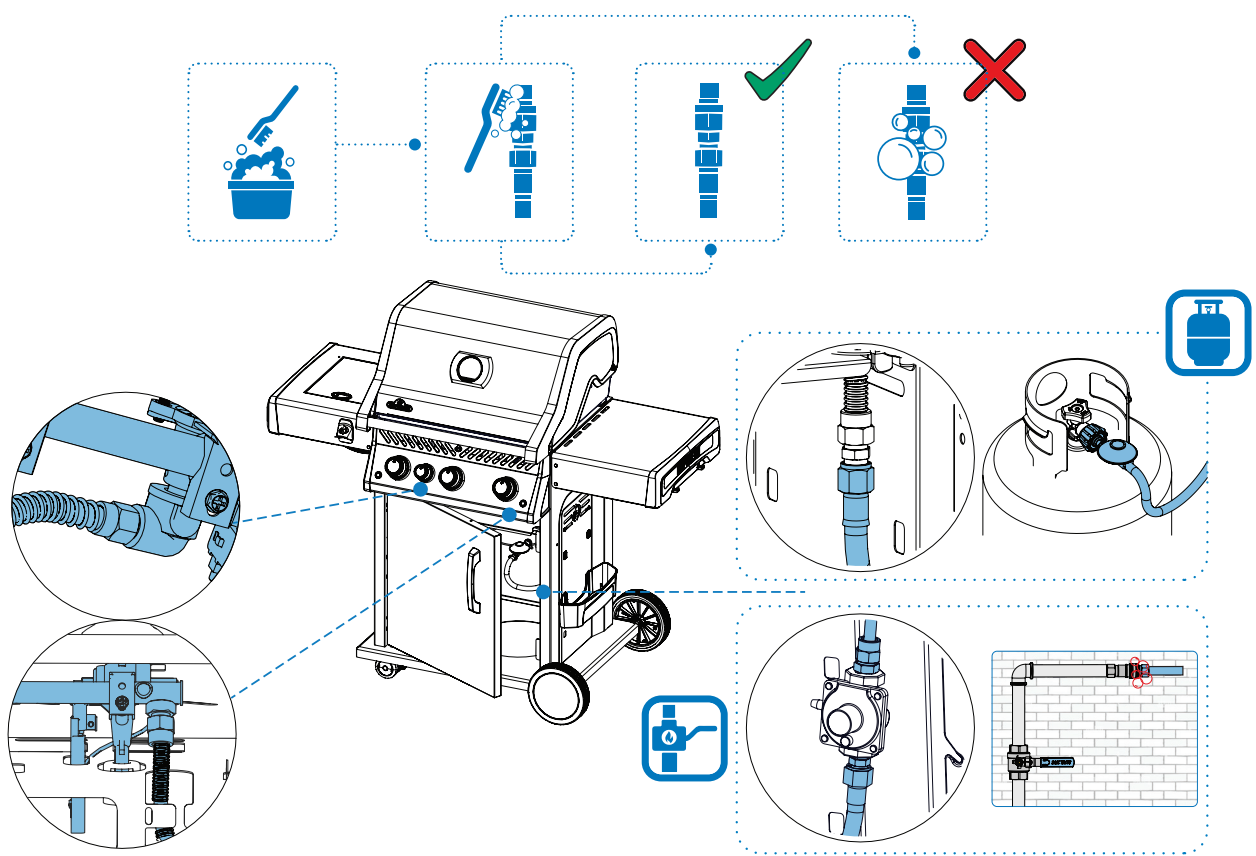
RP625



39



40





## Parts Lists

Legend: **x** - Standard Part      **p** - Propane      **n** - Natural      **ac** - Accessory

|                 | Part #              | RP425 SB | RP425 SIB | RP525 SB | RP525 SIB | RP625 SB | RP625 SIB | Description             |
|-----------------|---------------------|----------|-----------|----------|-----------|----------|-----------|-------------------------|
| 1               | N010-1031-BK        | x        | x         | x        |           |          |           | Lid Assembly            |
|                 | N010-1034-BK        |          |           |          | x         | x        |           |                         |
|                 | N010-1233-BK        |          |           |          |           |          | x         |                         |
| 2               | N685-10004971       | x        | x         | x        | x         | x        | x         | Temperature Gauge       |
|                 | N051-10001987-GY1HT | x        | x         | x        | x         | x        | x         | Temperature Gauge Bezel |
| 3               | N385-0513-SER       | x        | x         | x        | x         | x        | x         | Napoleon Logo           |
| 4               | N510-0013           | x        | x         | x        | x         | x        | x         | Lid Bumper              |
| 5               | S87014              | x        | x         | x        | x         | x        | x         | Lid Pivot Hardware      |
| 6               | S87010              | x        | x         |          |           |          |           | Crosslight Bracket      |
|                 | S87013              |          |           | x        | x         |          |           |                         |
|                 | S87017              |          |           |          |           | x        | x         |                         |
| 7               | S87001              | x        | x         | x        | x         | x        | x         | Burner and Sear Plate   |
| 8               | N010-1763-LP-BK     | p        |           |          |           |          |           | Cont Panel Assembly     |
|                 | N010-1763-NG-BK-AU  | n        |           |          |           |          |           |                         |
|                 | N010-1770-LP-BK     |          | p         |          |           |          |           |                         |
|                 | N010-1770-NG-BK-AU  |          | n         |          |           |          |           |                         |
|                 | N010-1765-LP-BK     |          |           | p        |           |          |           |                         |
|                 | N010-1771-LP-BK     |          |           |          | p         |          |           |                         |
|                 | N010-1771-NG-BK-AU  |          |           |          | n         |          |           |                         |
|                 | N010-1772-LP-BK     |          |           |          |           |          | p         |                         |
|                 | N010-1772-NG-BK-AU  |          |           |          |           |          | n         |                         |
| N010-1767-LP-BK |                     |          |           |          | p         |          |           |                         |
| 9               | N010-1113LY         | x        | x         | x        | x         | x        | x         | Wire Harness Assembly   |
| 10              | N660-0011LY         | x        | x         | x        | x         | x        | x         | Switch                  |
| 11              | N380-0040           | x        | x         | x        | x         | x        | x         | Small Knob              |
| 12              | N380-0039           | x        | x         | x        | x         | x        | x         | Large Knob              |
| 13              | N387-0013LY         | x        | x         | x        | x         | x        | x         | Small LED Light         |
| 14              | N387-0014LY         | x        | x         | x        | x         | x        | x         | Large LED Light         |

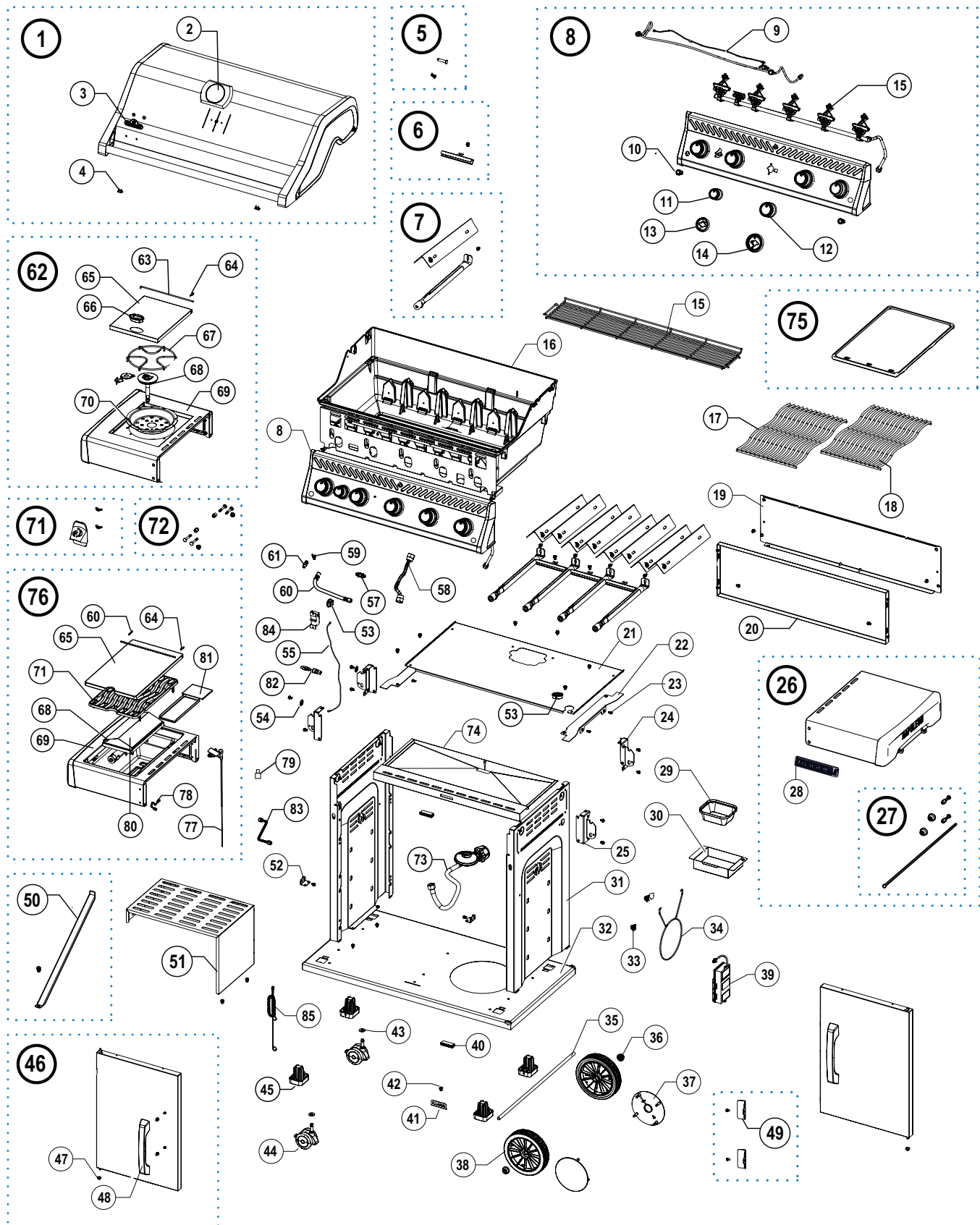
|    | Part #            | RP425 SB | RP425 SIB | RP525 SB | RP525 SIB | RP625 SB | RP625 SIB | Description                       |
|----|-------------------|----------|-----------|----------|-----------|----------|-----------|-----------------------------------|
| 15 | N010-1184         | p        |           |          |           |          |           | Manifold Assembly                 |
|    | N010-1596         | n        |           |          |           |          |           |                                   |
|    | N010-10001929     |          | p         |          |           |          |           |                                   |
|    | N010-1670         |          | n         |          |           |          |           |                                   |
|    | N010-0982         |          |           | p        |           |          |           |                                   |
|    | N010-10001931     |          |           |          | p         |          |           |                                   |
|    | N010-1671         |          |           |          | n         |          |           |                                   |
|    | N010-1215         |          |           |          |           | p        |           |                                   |
|    | N010-10001933     |          |           |          |           |          | p         |                                   |
|    | N010-1672         |          |           |          |           |          | n         |                                   |
| 16 | N520-0055         | x        | x         |          |           |          |           | Warming Rack                      |
|    | N520-10001898     |          |           | x        | x         |          |           |                                   |
|    | N520-10001899     |          |           |          |           | x        | x         |                                   |
| 17 | N010-1041-SER     | x        | x         |          |           |          |           | Base Assembly                     |
|    | N010-0999-SER     |          |           | x        | x         |          |           |                                   |
|    | N010-1280-SER     |          |           |          |           | x        | x         |                                   |
| 18 | N305-0144         | x        | x         |          |           |          |           | Stainless Steel Main Cooking Grid |
|    | N305-0145         |          |           | x        | x         |          |           |                                   |
|    | N305-0146         |          |           |          |           | x        | x         |                                   |
| 19 | N200-0118-GY1SG   | x        | x         |          |           |          |           | Base Back Cover                   |
|    | N200-0127-GY1SG   |          |           | x        | x         |          |           |                                   |
|    | N200-0135-GY1SG   |          |           |          |           | x        | x         |                                   |
| 20 | N475-0363-GY1SG   | x        | x         |          |           |          |           | Rear Cart Panel                   |
|    | N475-0449-GY1SG   |          |           | x        | x         |          |           |                                   |
|    | N475-0499-GY1SG   |          |           |          |           | x        | x         |                                   |
| 21 | N585-0138-GY1SG   | x        | x         |          |           |          |           | Heat Shield                       |
|    | N585-0139-GY1SG   |          |           | x        | x         |          |           |                                   |
|    | N585-0140-GY1SG   |          |           |          |           | x        | x         |                                   |
| 22 | N080-0437-GY1SG   | x        | x         | x        | x         | x        | x         | Heat Shield Bracket               |
| 23 | N570-0126         | x        | x         | x        | x         | x        | x         | Screw                             |
| 24 | N080-0364         | x        | x         | x        | x         | x        | x         | Folding Bracket "A"               |
| 25 | N080-0365         | x        | x         | x        | x         | x        | x         | Folding Bracket "B"               |
| 26 | N010-1782-BK      | x        | x         | x        | x         | x        | x         | Side Shelf Assembly               |
| 27 | N370-0928-SER     | x        | x         | x        | x         | x        | x         | Side Shelf Pivot Hardware         |
| 28 | N385-10001897-SER | x        | x         | x        | x         | x        | x         | Rogue Logo Kit                    |
| 29 | N710-0062         | x        | x         | x        | x         | x        | x         | Grease Tray                       |
|    | 62007             | ac       | ac        | ac       | ac        | ac       | ac        |                                   |
| 30 | N200-0134-GY1SG   | x        | x         | x        | x         | x        | x         | Grease Tray Cover                 |
| 31 | N475-0607-GY1SG   | x        | x         | x        | x         | x        | x         | Side Panel Left/Right             |

|    | Part #           | RP425 SB | RP425 SIB | RP525 SB | RP525 SIB | RP625 SB | RP625 SIB | Description               |
|----|------------------|----------|-----------|----------|-----------|----------|-----------|---------------------------|
| 32 | N590-0318-GY1SG  | x        | x         |          |           |          |           | Bottom Shelf              |
|    | N590-0319-GY1SG  |          |           | x        | x         |          |           |                           |
|    | N590-0320-GY1SG  |          |           |          |           | x        | x         |                           |
| 33 | N160-0034-GY1SG  | p        | p         | p        | p         | p        | p         | Propane Tank Retainer     |
| 34 | N160-0035        | p        | p         | p        | p         | p        | p         | Retainer Ring Clip        |
| 35 | N015-0012        | x        | x         | x        | x         | x        | x         | Axle                      |
| 36 | N450-0023        | x        | x         | x        | x         | x        | x         | Plastic Cap Nut           |
| 37 | N120-0037        | x        | x         | x        | x         | x        | x         | Wheel Hub Cap             |
| 38 | N745-0009        | x        | x         | x        | x         | x        | x         | Wheel                     |
| 39 | N350-0076LY      | x        | x         | x        | x         | x        | x         | Battery Housing           |
| 40 | N430-0002        | x        | x         | x        | x         | x        | x         | Magnet                    |
| 41 | N080-0387-GY1SG  |          |           | x        | x         | x        | x         | Magnet Bracket            |
| 42 | N570-0118        | x        | x         | x        | x         | x        | x         | Screw                     |
| 43 | N735-0027        | x        | x         | x        | x         | x        | x         | Washer 1/2"               |
| 44 | S82001           | x        | x         | x        | x         | x        | x         | Caster                    |
| 45 | N510-0015        | x        | x         | x        | x         | x        | x         | Caster Plug               |
| 46 | N010-0869-BK-SER | x        | x         |          |           |          |           | Black Door Assembly       |
|    | N010-0984-BK-SER |          |           | x        | x         |          |           |                           |
|    | N010-1221-BK-SER |          |           |          |           | x        | x         |                           |
| 47 | N105-0011        | x        | x         | x        | x         | x        | x         | Door Bushing              |
| 48 | N325-0094-SER    | x        | x         | x        | x         | x        | x         | Door Handle               |
| 49 | N080-0380-BK1SG  | x        | x         |          |           |          |           | Door Magnet Bracket       |
| 50 | N080-0254G       |          |           | p        | p         |          |           | Tank Inhibitor Bracket    |
| 51 | N590-0327-GY1SG  |          |           |          |           | p        | p         | Tank Inhibitor Shelf      |
| 52 | N080-0378-GY1SG  | x        | x         | x        | x         | x        | x         | Door Pivot Bracket        |
| 53 | N105-0020        | x        | x         | x        | x         | x        | x         | Flex Line Bushing         |
| 54 | N450-0053        | x        | x         | x        | x         | x        | x         | Shelf Lock Nut            |
| 55 | N750-0016        | x        | x         | x        | x         | x        | x         | Side Burner Electrode     |
| 56 | N105-0017        | x        | x         | x        | x         | x        | x         | Side Burner Hose Bushing  |
| 57 | Z255-0002-1      | x        | x         | x        | x         | x        | x         | Side Burner Fitting       |
| 58 | N720-0079        | x        | x         | x        | x         | x        | x         | Flex Hose                 |
| 59 | N160-0023        | x        | x         | x        | x         | x        | x         | Side Burner Orifice Clip  |
| 60 | N345-0021        | x        |           | x        |           | x        |           | Side Burner Supply Hose   |
|    | N720-0092        |          | x         |          | x         |          | x         |                           |
|    | N720-0079        |          | x         |          | x         |          | x         |                           |
| 61 | N455-0085        | p        |           | p        |           | p        |           | Flame Side Burner Orifice |
|    | N455-0126        |          | p         |          | p         |          | p         |                           |
|    | N455-0063        | n        |           | n        |           | n        |           |                           |
|    | N455-0123        |          | n         |          | n         |          | n         |                           |

|    | Part #              | RP425 SB | RP425 SIB | RP525 SB | RP525 SIB | RP625 SB | RP625 SIB | Description                           |
|----|---------------------|----------|-----------|----------|-----------|----------|-----------|---------------------------------------|
| 62 | N010-1784-BK-AU     | x        |           | x        |           | x        |           | Flame Side Burner Shelf Assembly      |
| 63 | Z580-0003           | x        |           | x        |           | x        |           | Lid Pivot Rod                         |
|    | N555-0091           |          | x         |          | x         |          | x         |                                       |
| 64 | Z485-0001           | x        |           | x        |           | x        |           | Clevis Pin                            |
|    | N485-0021           |          | x         |          | x         |          | x         |                                       |
| 65 | N335-0099-BK1HR     | x        |           | x        |           | x        |           | Side Burner Lid                       |
|    | N335-0098-BK1HR     |          | x         |          | x         |          | x         |                                       |
| 66 | Z325-0013           | x        |           | x        |           | x        |           | Side Burner Lid Handle                |
| 67 | Z305-0008           | x        |           | x        |           | x        |           | Side Burner Grate                     |
|    | S83010              |          | x         |          | x         |          | x         | Side Burner Grid                      |
| 68 | Z100-0002           | x        |           | x        |           | x        |           | Side Burner                           |
|    | N010-1558           |          | x         |          | x         |          | x         | Infrared Side Burner                  |
| 69 | N010-1783-BK1HR     | x        |           | x        |           | x        |           | Side Shelf                            |
|    | N590-10003111-BK1HR |          | x         |          | x         |          | x         |                                       |
| 70 | Z710-0004           | x        |           | x        |           | x        |           | Side Burner Plate                     |
| 71 | N080-0422-SER       | x        | x         | x        | x         | x        | x         | Bottle Opener                         |
| 72 | N370-0904-SER       | x        | x         | x        | x         | x        | x         | Side Shelf Hardware                   |
| 73 | N010-1784-BK-AU     | p        | p         | p        | p         | p        | p         | LP Regulator                          |
|    | N010-1781-BK-AU     | n        | n         | n        | n         | n        | n         | Natural Gas Hose                      |
|    | N010-1781-MK        | n        | n         | n        | n         | n        | n         | NG Regulator                          |
| 74 | N710-0094           | x        | x         |          |           |          |           | Drip Pan                              |
|    | N710-0108           |          |           | x        | x         |          |           |                                       |
|    | N710-0120           |          |           |          |           | x        | x         |                                       |
| 75 | 56425               | x        | x         | x        | x         | x        | x         | Cast Iron Griddle                     |
| 76 | N010-1781-BK        |          | x         |          | x         |          | x         | Side Shelf Assembly                   |
| 77 | N240-0045           |          | x         |          | x         |          | x         | Electrode                             |
| 78 | N720-0073           |          | x         |          | x         |          | x         | Pilot Tube                            |
| 79 | N455-0079           |          | p         |          | p         |          | p         | Pilot Orifice                         |
| 80 | N565-0014           |          | x         |          | x         |          | x         | Infrared Burner Screen                |
| 81 | N710-0063           |          | x         |          | x         |          | x         | Infrared Burner Drip Pan              |
| 82 | N255-0073           |          | x         |          | x         |          | x         | Infrared Side Burner Quick Disconnect |
| 83 | N720-0055           | x        |           | x        |           | x        |           | Side Burner Flex Line                 |
| 84 | N357-0021LY         | x        | x         | x        | x         | x        | x         | Spark Igniter Block                   |
| 85 | N555-0097           | x        | x         | x        | x         | x        | x         | Lighting Rod                          |
|    | 62050               | x        |           | x        |           | x        |           | Jetfire And Burner Maintenance Kit    |
|    | 69914               | ac       | ac        | ac       | ac        | ac       | ac        | Rotisserie Kit                        |
|    | 61427               | ac       | ac        |          |           |          |           | 425 Cover                             |
|    | 61527               |          |           | ac       | ac        |          |           | 525 Cover                             |
|    | 61627               |          |           |          |           | ac       | ac        | 625 Cover                             |

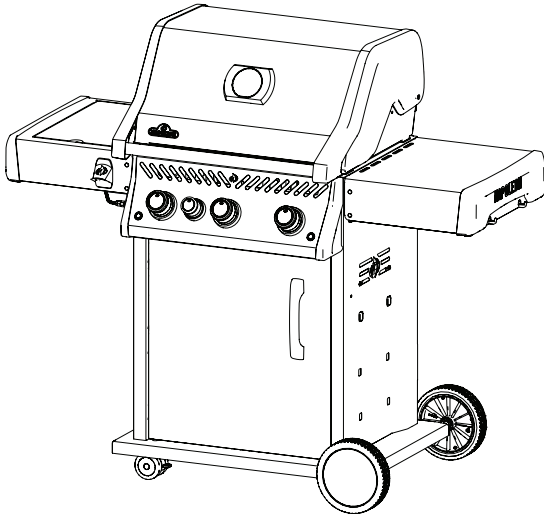
|  | Part # | RP425<br>SB | RP425<br>SIB | RP525<br>SB | RP525<br>SIB | RP625<br>SB | RP625<br>SIB | Description                   |
|--|--------|-------------|--------------|-------------|--------------|-------------|--------------|-------------------------------|
|  | S82002 | ac          | ac           | ac          | ac           | ac          | ac           | Premium Caster Kit            |
|  | 67732  | ac          | ac           | ac          | ac           | ac          | ac           | Charcoal Tray                 |
|  | 62007  | ac          | ac           | ac          | ac           | ac          | ac           | Grease Tray Liners (5pc)      |
|  | S83013 | ac          | ac           |             |              |             |              | Stainless Steel Cooking Grids |
|  | S83008 | ac          | ac           |             |              |             |              | Cast Iron Cooking Grids       |
|  | S83023 |             |              | ac          | ac           |             |              | Stainless Steel Cooking Grids |
|  | S83024 |             |              | ac          | ac           |             |              | Cast Iron Cooking Grids       |
|  | S83022 |             |              |             |              | ac          | ac           | Stainless Steel Cooking Grids |
|  | S83021 |             |              |             |              | ac          | ac           | Cast Iron Cooking Grids       |

# Exploded View

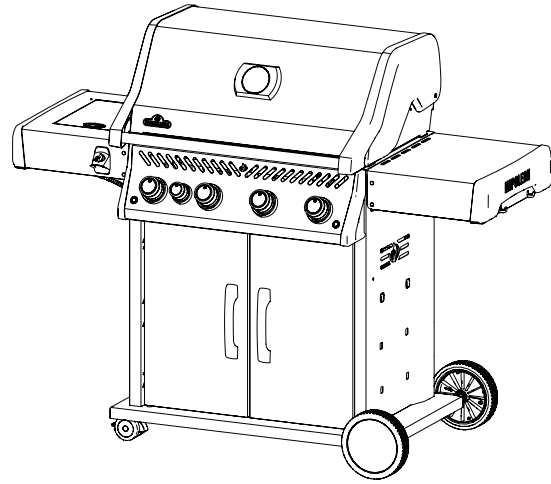


## Models

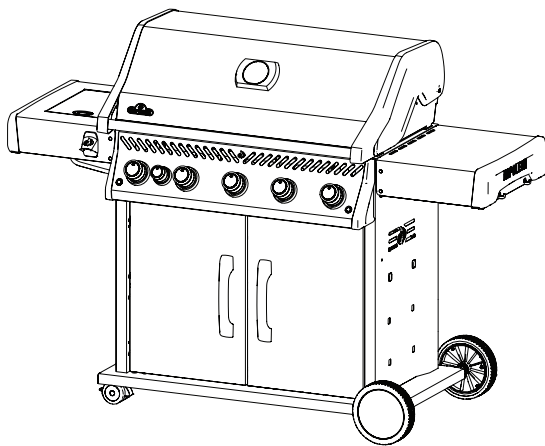
RP425-2



RP525-2



RP625-2



# NAPOLEON®

Celebrating over 40 years  
delivering home comfort products



NAPOLEON® products are protected by one or more U.S. and Canadian and/or foreign patents or patents pending.



#### Address

**Wolf Steel Ltd.**

24 Napoleon Road,  
Barrie, Ontario, L4M 0G8  
103 Miller Drive, Crittenden,  
Kentucky, EE.UU. 41030  
7200 Trans Canada Highway,  
Montreal, Quebec H4T 1A3



#### Phone

**Australia**

+61 (0)756 306 837 or  
1-300-361-557

#### Online

✉ [info@napoleongrills.com.au](mailto:info@napoleongrills.com.au)

🌐 [www.napoleon.com](http://www.napoleon.com)