



Model Code: W12-180D

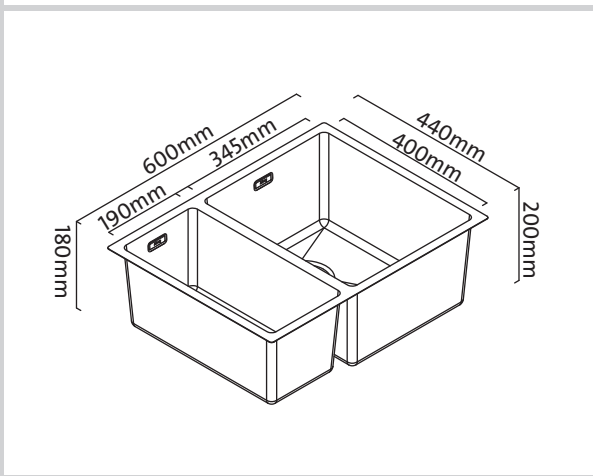
Included Accessories

		
6020/OFLOW4 x 2	WKEK	

Optional Accessories

		
CBR420A	FSCO	ICC12
		
UMG	CUDT	

Dimensions



Specifications

Description	Sink, Stainless Steel, Bowl + 1/2
Overall Sink Size	600mm x 440mm x 200mm deep
Bowl Dimensions	345mm x 400mm x 200mm deep 190mm x 400mm x 180mm deep
Drainer Length	N/A
Technic	Fabrication
Material	1.0mm Stainless steel SUS304

Installation

Fixings	N/A
Template	N/A
Min Cabinet Size	700mm
Waste Holes	1 x 90mm round Compatible with waste disposal

Plumbing

Waste Fittings	1 x (90mm x 2") basket waste included
Overflow	Included

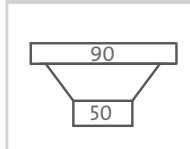
Packaging

Carton Type	EPS protection & individual carton
Gross Weight	7.0Kg
Carton Size	650mm x 495mm x 240mm
Pack QTY	1

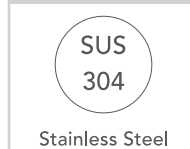
SURFACE FINISH



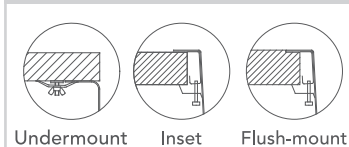
WASTE KIT



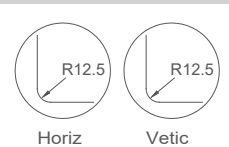
MATERIAL



INSTALLATION OPTIONS



PROFILE



Abey are Australia's leader in sinkware, designing and manufacturing to the world's highest quality specifications as well as sourcing and bringing you Europe's very best, leading edge designs – practical, affordable, inspirational, stylish, timeless or cutting edge. When you buy an Abey stainless steel sink you receive the highest quality and a 25 year warranty. Abey and the manufacturer are continually seeking ways to improve the design specifications, aesthetic and production techniques of the products. As a result, alterations to the specifications and dimensions of the products and design occur continually.